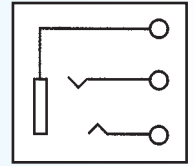
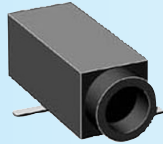
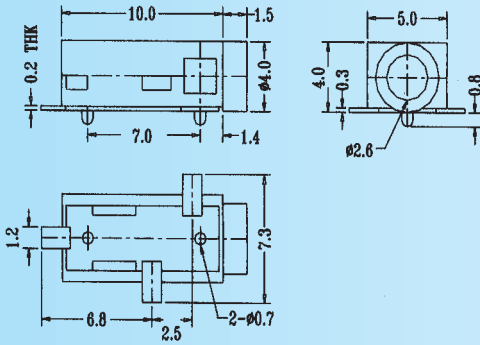


ST-202 (2.5 mm)

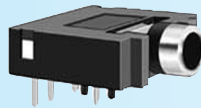
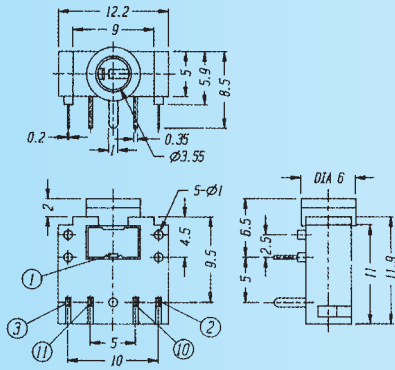
Function: STEREO
Rating: 0.3A 30V DC



ST-212 (SERIES, 3.5 mm)

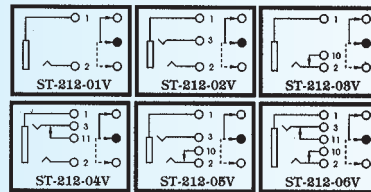
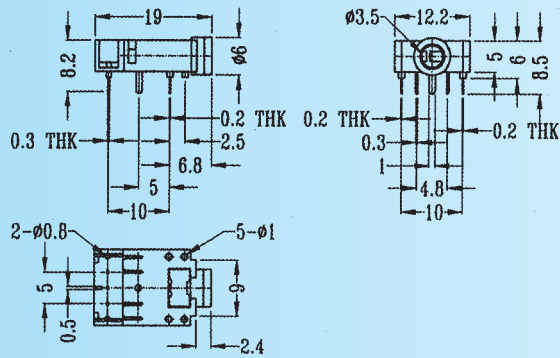
Rating: 0.3A 30V DC

MODEL No.	FUNCTION	BUSHING	BUSHING COLOR	CONTACT FORM
ST-111	STEREO	UN-THREADED	NICKEL	2
ST-112	STEREO	UN-THREADED	NICKEL	8
ST-113	STEREO	UN-THREADED	NICKEL	5
ST-114	STEREO	UN-THREADED	NICKEL	7
ST-115	MONO	UN-THREADED	NICKEL	3
ST-116	MONO	UN-THREADED	NICKEL	1
ST-117	STEREO	UN-THREADED	NICKEL	4
ST-212	STEREO	UN-THREADED	NICKEL	6



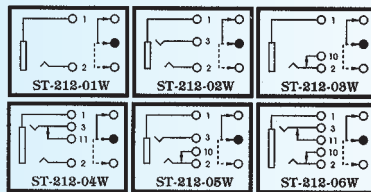
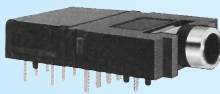
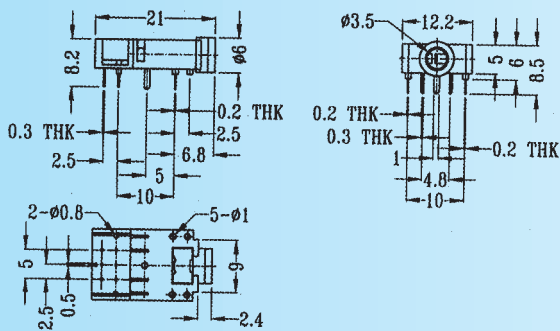
ST-212-V (SERIES, 3.5 mm)

Rating: 0.3A 30V DC
Function: STEREO W/1P2T



ST-212-W (SERIES, 3.5 mm)

Rating: 0.3A 30V DC
Function: STEREO W/2P2T



ST-214-C (THREADED TYPE)

ST-214-N (NON-THREADED TYPE)

Rating: 0.3A 30V DC
Optional Accessory: AZ-004

