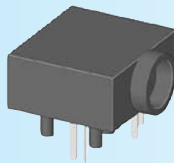
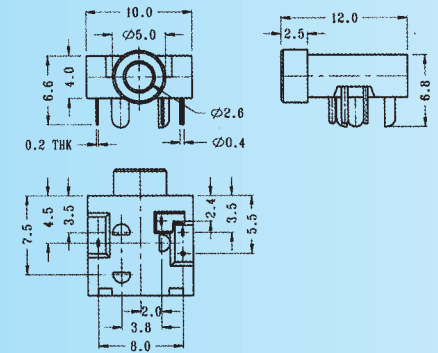
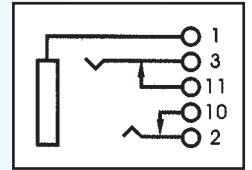


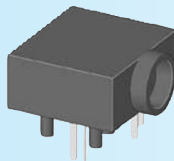
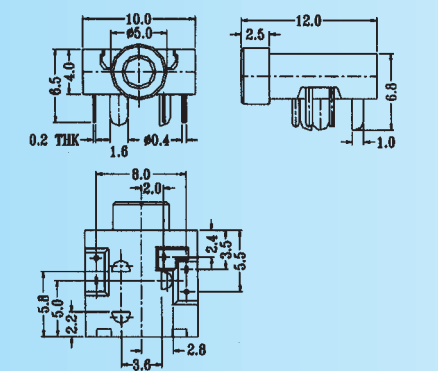
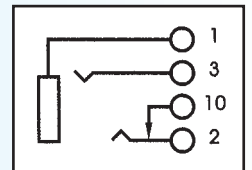
ST-102C-06 (2.5 mm)

Function: STEREO
Rating: 0.3A 30V DC



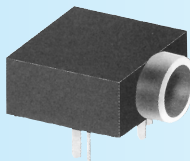
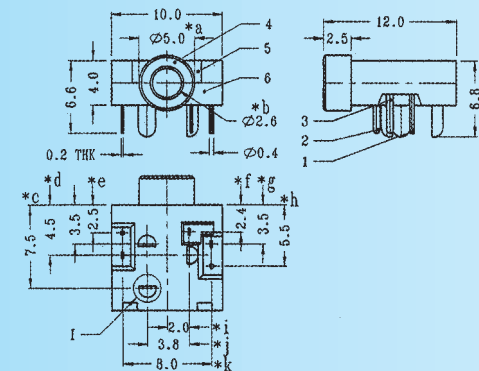
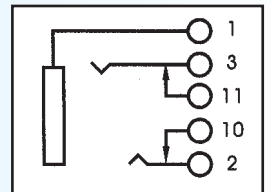
ST-102-05 (2.5 mm)

Function: STEREO
Rating: 0.3A 30V DC



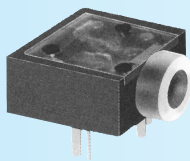
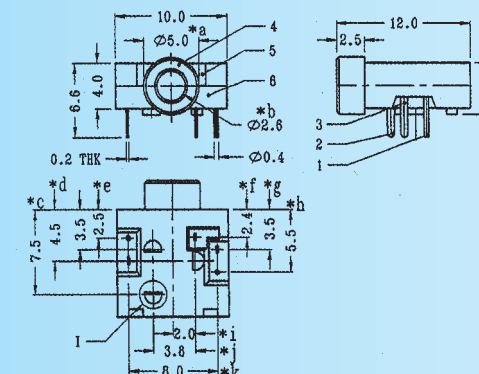
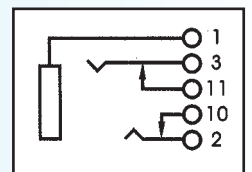
ST-102-06 (2.5 mm)

Function: STEREO
Rating: 0.3A 30V DC



ST-103-06 (2.5 mm)

Function: STEREO
Rating: 0.3A 30V DC



ST-103C-06 (2.5 mm)

Function: STEREO
Rating: 0.3A 30V DC

