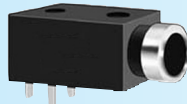
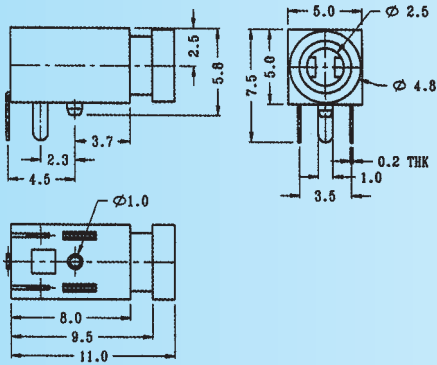
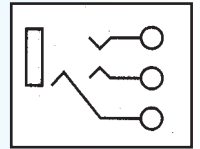


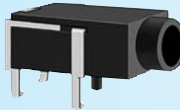
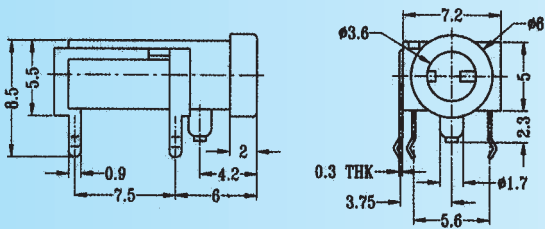
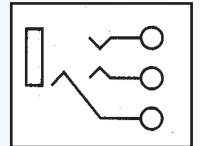
ST-002

Function: STEREO
Rating: 0.3A 30V DC



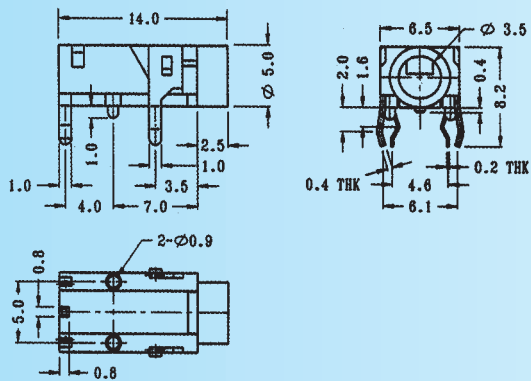
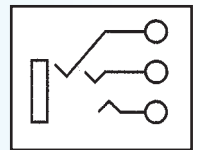
ST-003

Function: STEREO
Rating: 0.3A 30V DC



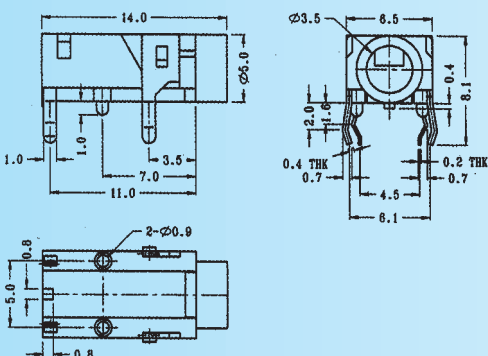
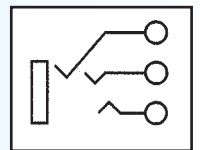
ST-004

Function: STEREO
Rating: 0.3A 30V DC



ST-005

Function: STEREO
Rating: 0.3A 30V DC



ST-006 (3.5 mm)

Function: STEREO
Rating: 0.3A 30V DC

