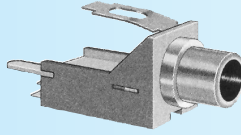
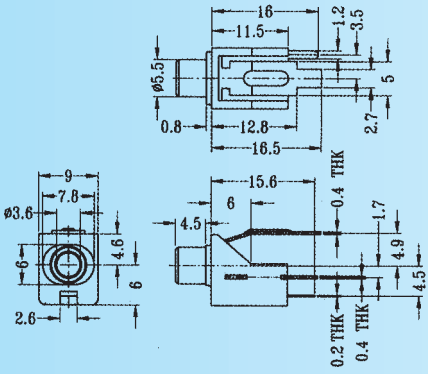


EY-503-NL (4.5 mm)

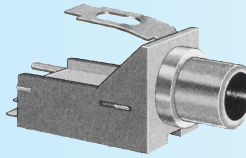
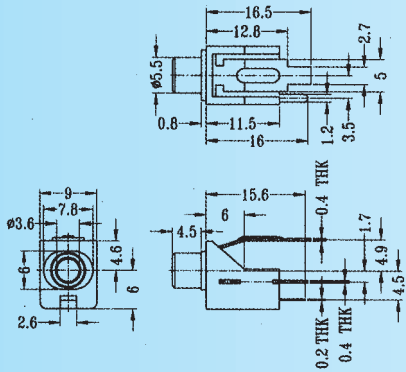
Rating: 0.3A 30V DC



BUSHING	UN-THREATED
BUSHING COLOR	NICKEL
CONTACT FORM	3

EY-503-NR (4.5 mm)

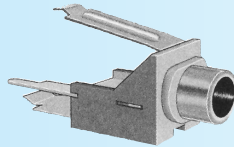
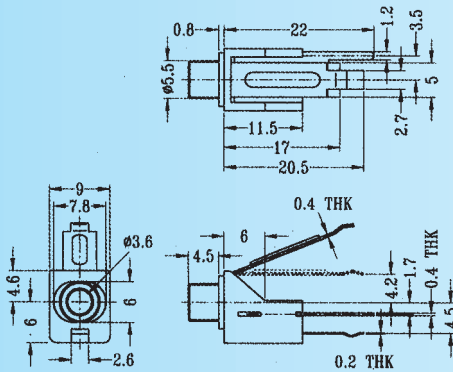
Rating: 0.3A 30V DC



BUSHING	UN-THREATED
BUSHING COLOR	NICKEL
CONTACT FORM	3

EY-504-NL (4.5 mm)

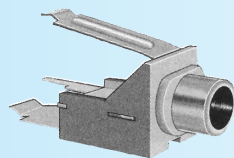
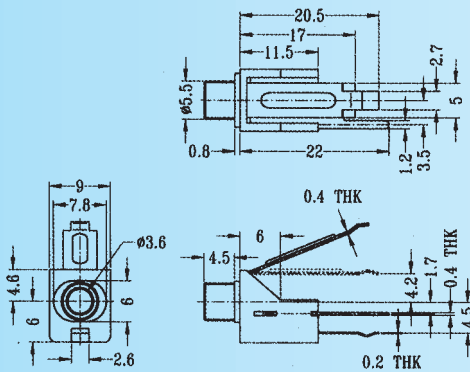
Rating: 0.3A 30V DC



BUSHING	UN-THREATED
BUSHING COLOR	NICKEL
CONTACT FORM	3

EY-504-NR (4.5 mm)

Rating: 0.3A 30V DC



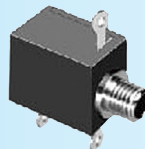
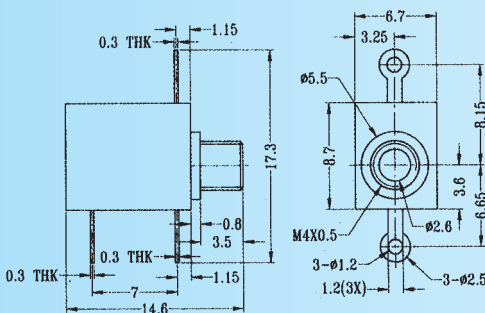
BUSHING	UN-THREATED
BUSHING COLOR	NICKEL
CONTACT FORM	3

EY-506-C (3.5 mm)

Optional Accessory: AZ-005

Rating: 0.3A 30V DC

Function: Mono



BUSHING	THREATED
BUSHING COLOR	NICKEL
CONTACT FORM	3