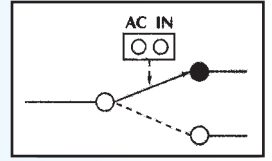
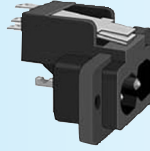
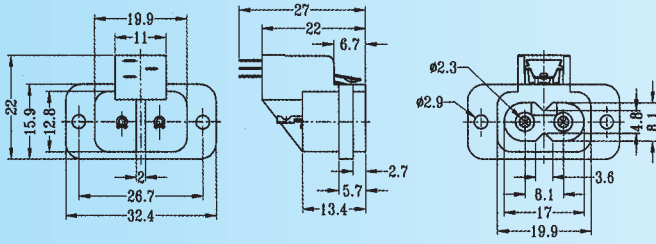


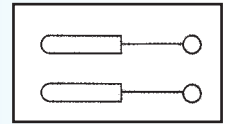
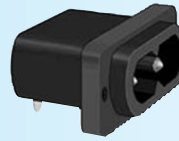
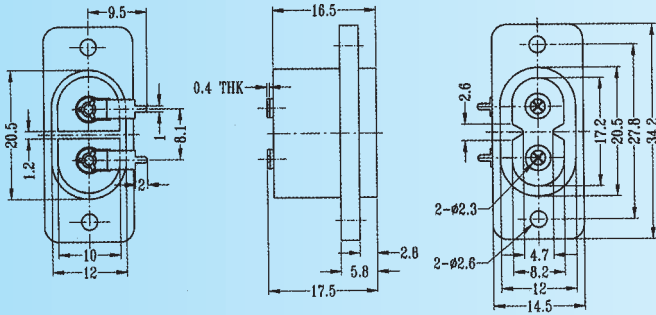
AS-211

Rating: 1A 250V AC



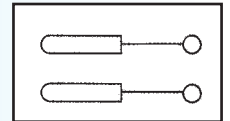
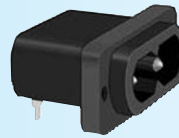
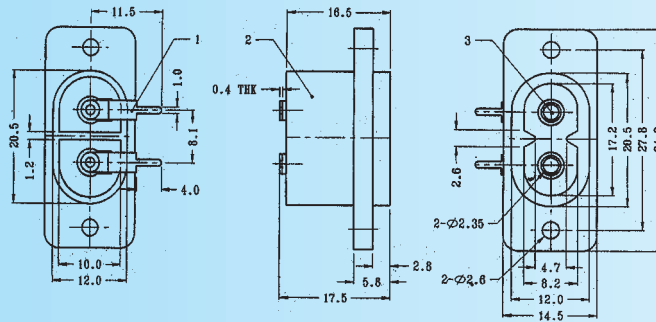
AS-214

Rating: 1A 250V AC
(PCB TYPE)



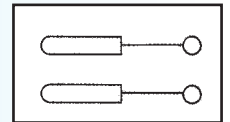
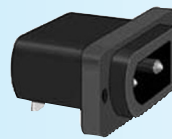
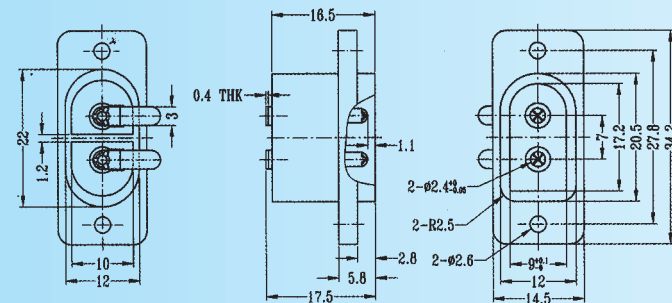
AS-215

Rating: 1A 250V AC



AS-338

Rating: 1A 250V AC



AS-339

Rating: 1A 250V AC

