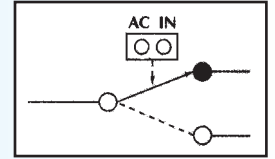
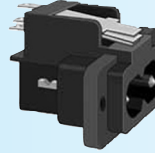
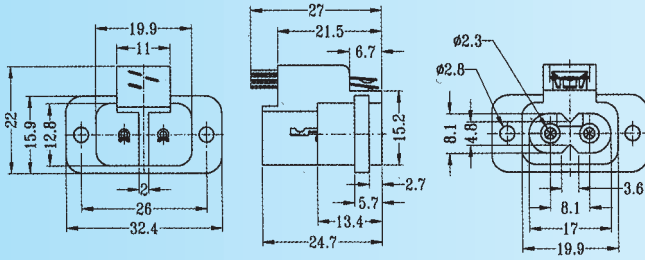


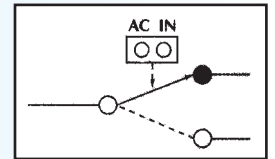
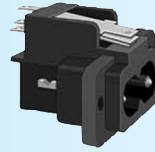
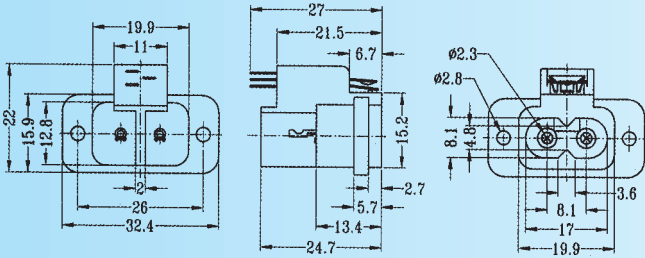
AS-203B

Rating: 1A 250V AC



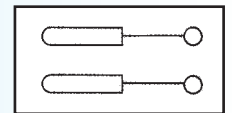
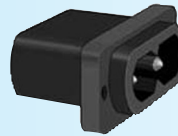
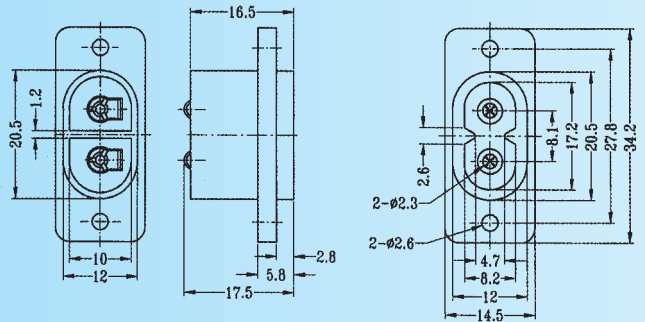
AS-203S

Rating: 1A 250V AC



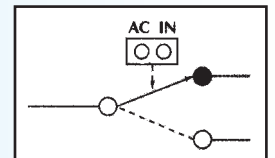
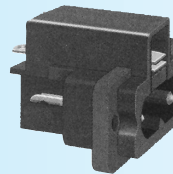
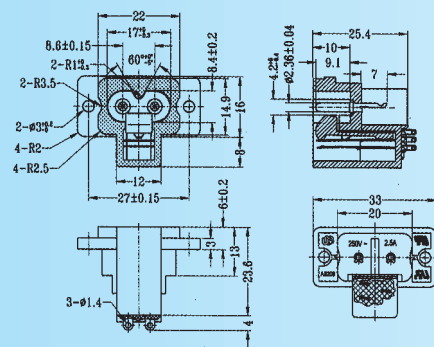
AS-204

Rating: 1A 250V AC
(SOLDERING TYPE)



AS-208

Rating: 2.5A 250V AC
1A 12V DC



AS-209

Rating: 7A 125V AC
1A 12V DC

