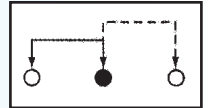


SS-12106

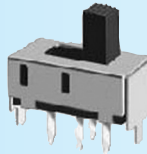
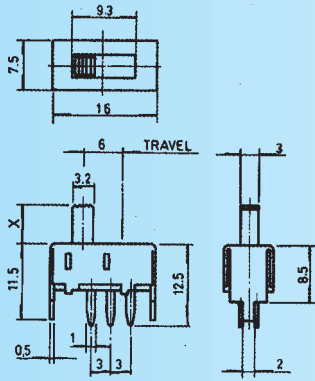
Rating: 1.5A 250V AC
Function: 1P2T



N NON-SHORTING

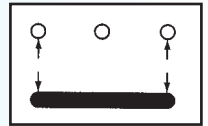
Optional Knob type

GD					



SS-12L04

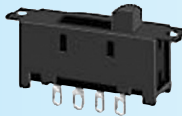
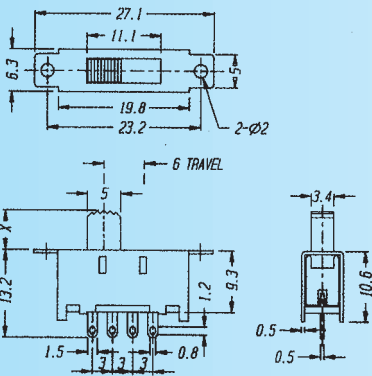
Rating: 0.5A 50V DC
Function: 1P2T



N NON-SHORTING

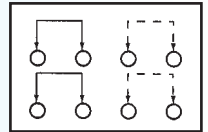
Optional Knob type

GE					



SS-12L07

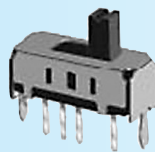
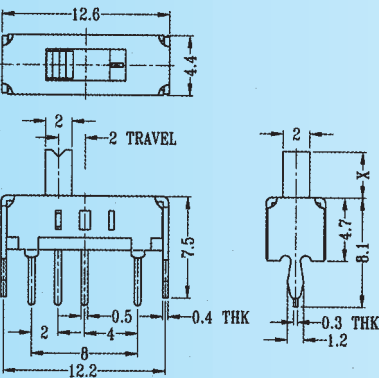
Rating: 0.3A 50V DC
Function: 1P2T



N NON-SHORTING

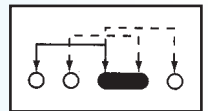
Optional Knob type

GD					



SS-13D01

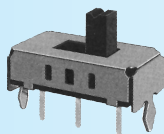
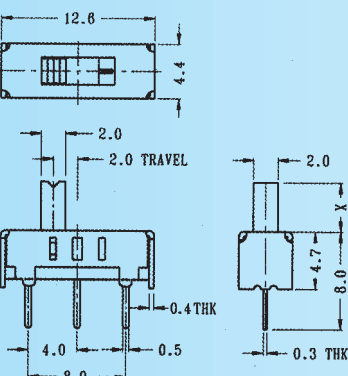
Rating: 0.3A 50V DC
Function: 1P3T



S SHORTING

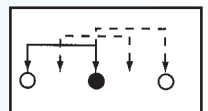
Optional Knob type

VA	GE				



SS-13D02

Rating: 0.3A 50V DC
Function: 1P3T



S SHORTING

Optional Knob type

VA	GE				