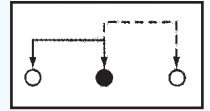


## SS-12H08

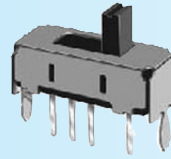
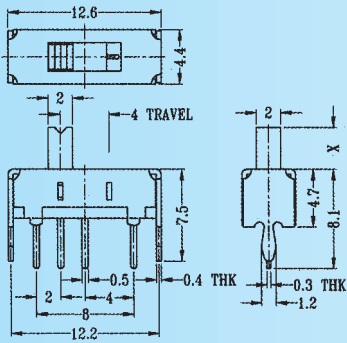
Rating: 1.5A 250V AC  
Function: 1P2T



**N** NON-SHORTING

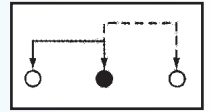
Optional Knob type

GT	TA	VB	GE	GD	FM



## SS-12H08

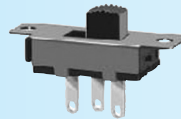
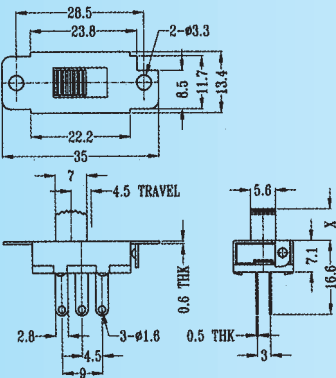
Rating: 0.3A 50V DC  
Function: 1P2T



**N** NON-SHORTING

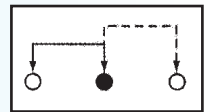
Optional Knob type

GE	VA				



## SS-12I01

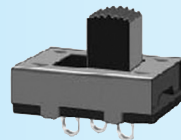
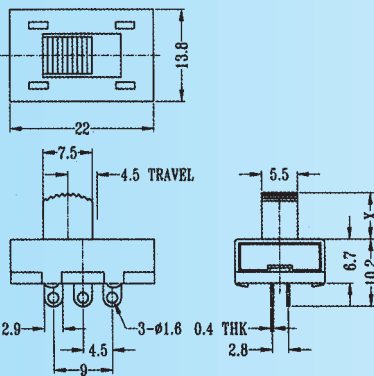
Rating: 1.5A 250V AC  
Function: 1P2T



**N** NON-SHORTING

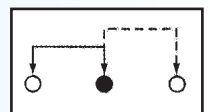
Optional Knob type

GD					



## SS-12I04

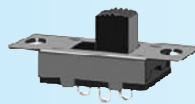
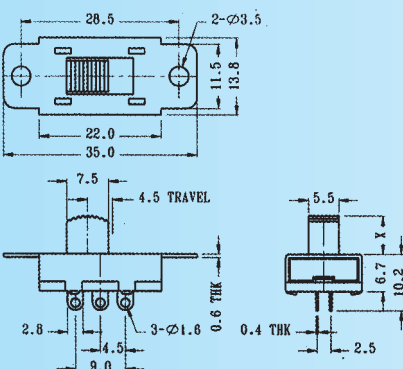
Rating: 1.5A 250V AC  
Function: 1P2T



**N** NON-SHORTING

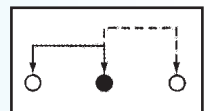
Optional Knob type

GD					



## SS-12I05

Rating: 1.5A 250V AC  
Function: 1P2T



**N** NON-SHORTING

Optional Knob type

GD					