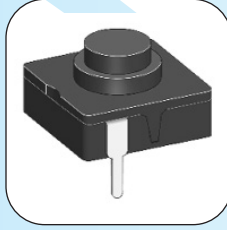
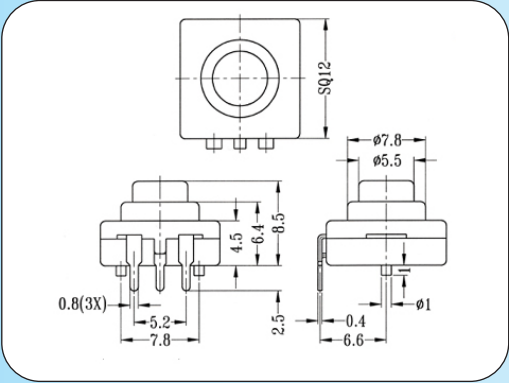
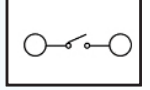


PB-11D01

Rating: 1A 30V DC

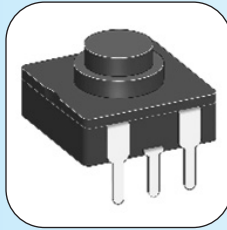


CIRCUIT DIAGRAM



PB-11D03

Rating: 1A 30V DC



CIRCUIT DIAGRAM

