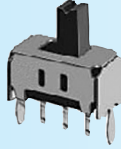
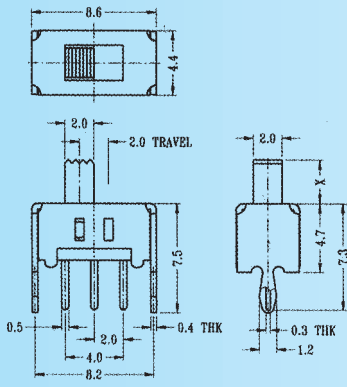


SS-12D02

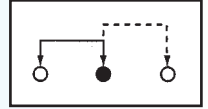
Rating: 0.3A 50V DC
Function: 1P2T



N NON-SHORTING

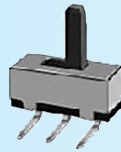
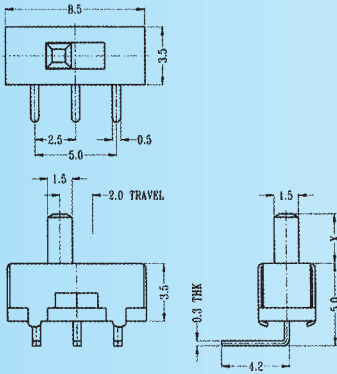
Optional Knob type

VA	TA	GE			



SS-12D03

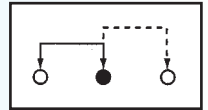
Rating: 0.3A 50V DC
Function: 1P2T



N NON-SHORTING

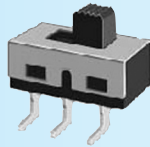
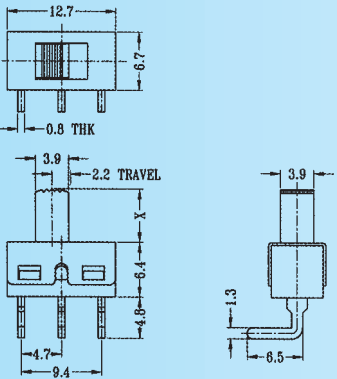
Optional Knob type

TB					



SS-12D06

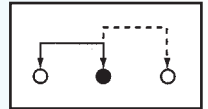
Rating: 2A 125V AC
Function: 1P2T



N NON-SHORTING

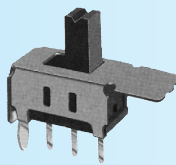
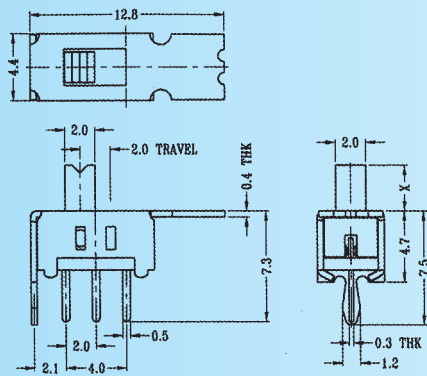
Optional Knob type

GD	GE				



SS-12D07

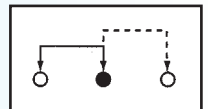
Rating: 0.3A 50V DC
Function: 1P2T



N NON-SHORTING

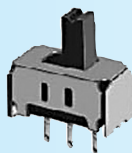
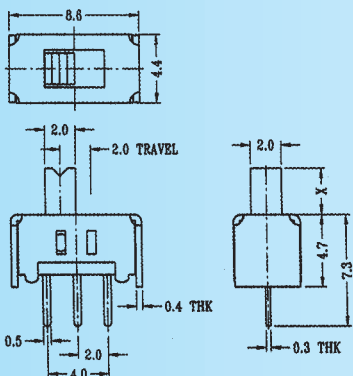
Optional Knob type

VA	TA	GE			



SS-12D09

Rating: 0.3A 50V DC
Function: 1P2T



N NON-SHORTING

Optional Knob type

VA	TA	GE			

