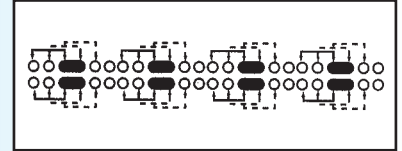
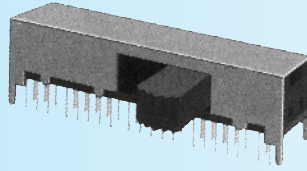
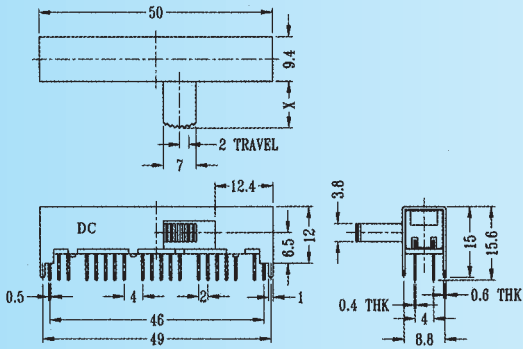


SK-83D08 (L3 R2)

Rating: 0.3A 50V DC
Function: 8P3T



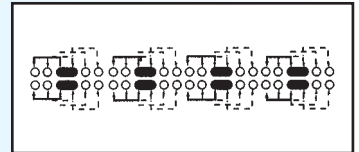
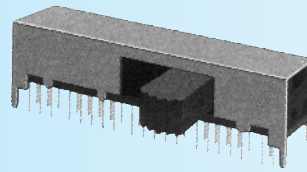
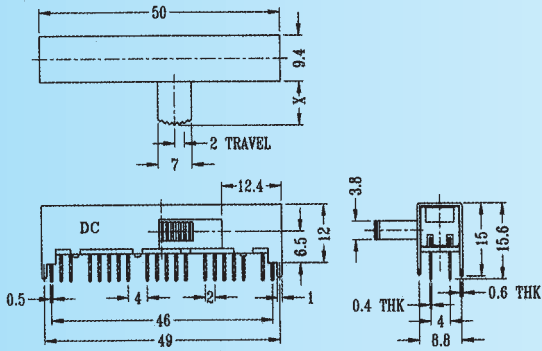
S SHORTING

Optional Knob type

GD	TA	MX			

SK-84D01(L3 R2)

Rating: 0.3A 50V DC
Function: 8P4T



S SHORTING

Optional Knob type

GD	TA	MX			