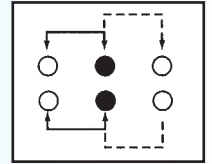


**SK-22D03**

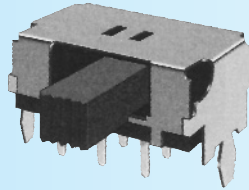
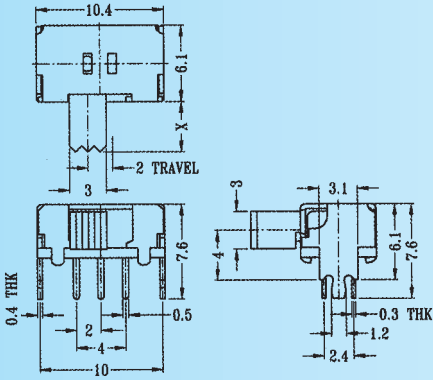
Rating: 0.3A 50V DC  
Function: 2P2T



**N** NON-SHORTING

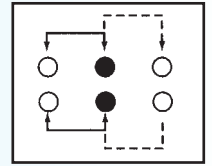
Optional Knob type

GE	PG	VA			



**SK-22D05**

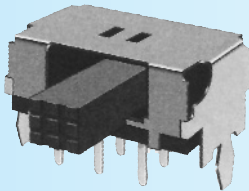
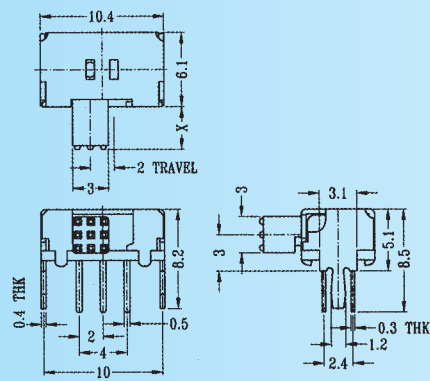
Rating: 0.3A 50V DC  
Function: 2P2T



**N** NON-SHORTING

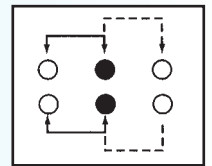
Optional Knob type

PG	GE				



**SK-22D06**

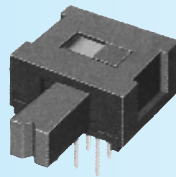
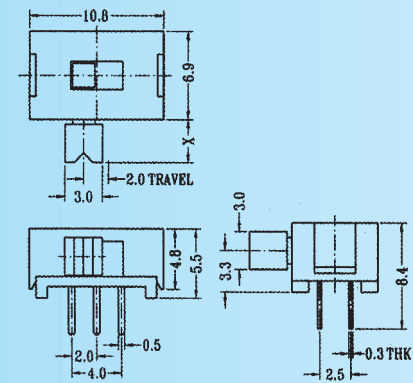
Rating: 0.3A 50V DC  
Function: 2P2T



**N** NON-SHORTING

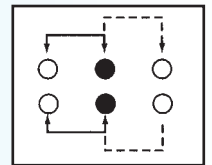
Optional Knob type

VA	GE	PG			



**SK-22D07**

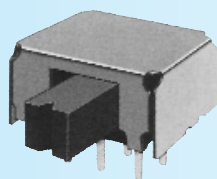
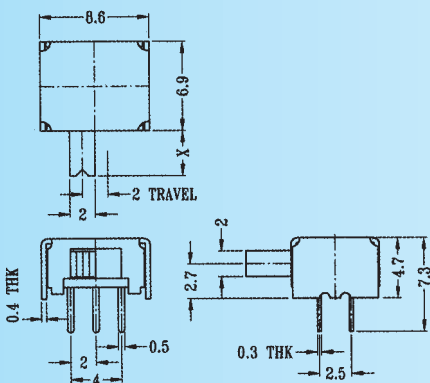
Rating: 0.3A 50V DC  
Function: 2P2T



**S** SHORTING

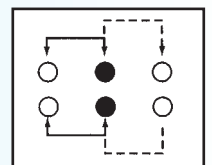
Optional Knob type

VA	TH	RB			



**SK-22D09**

Rating: 0.3A 50V DC  
Function: 2P2T



**N** NON-SHORTING

Optional Knob type

VA	GE				