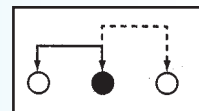


SK-12F16

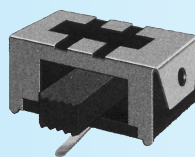
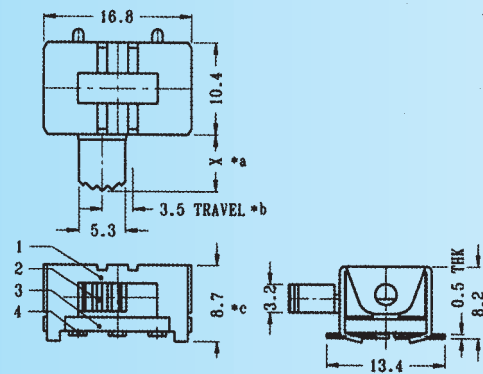
Rating: 0.3A 50V DC
Function: 1P2T



N NON-SHORTING

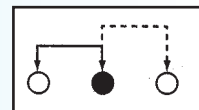
Optional Knob type

GE				



SK-12G05

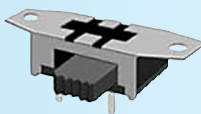
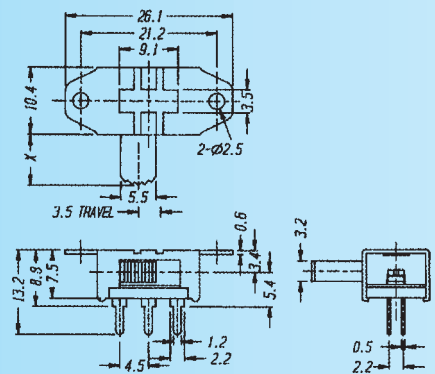
Rating: 1A 125V AC
Function: 1P2T



N NON-SHORTING

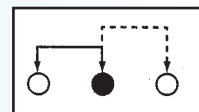
Optional Knob type

GD				



SK-12G06

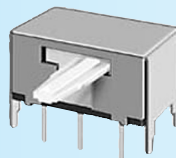
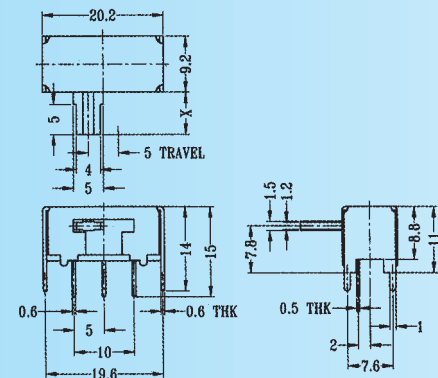
Rating: 1A 125V AC
Function: 1P2T



N NON-SHORTING

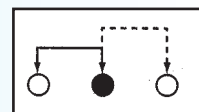
Optional Knob type

GD				



SK-12J04

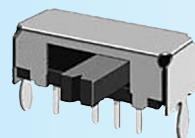
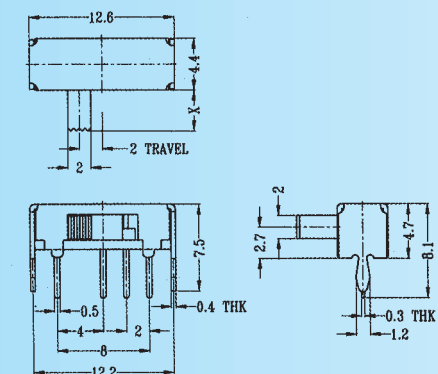
Rating: 0.3A 50V DC
Function: 1P2T



S SHORTING

Optional Knob type

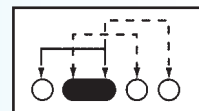
TS				



SK-13D01 (L1R3)

SK-13D11 (L3R1)

Rating: 0.3A 50V DC
Function: 1P3T



S SHORTING

Optional Knob type

VA	GE			