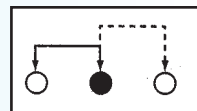
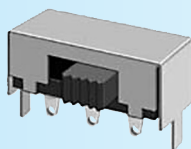
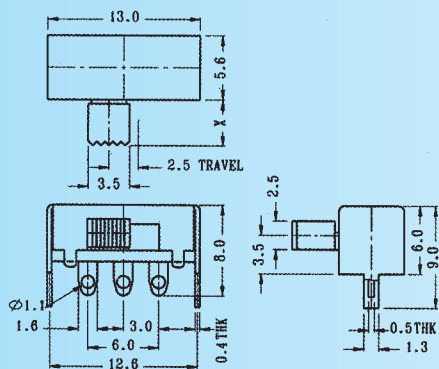


**SK-12E13**

Rating: 0.5A 50V DC

Function: 1P2T



**N** NON-SHORTING

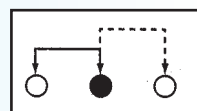
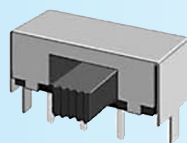
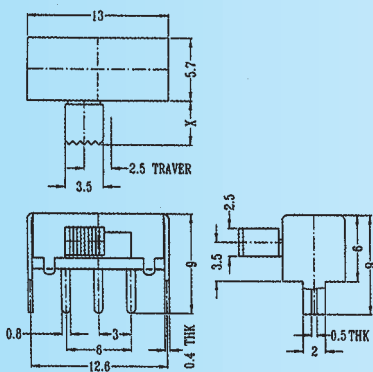
Optional Knob type

GD	GE				

**SK-12E14**

Rating: 0.5A 50V DC

Function: 1P2T



**N** NON-SHORTING

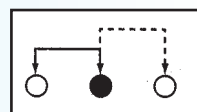
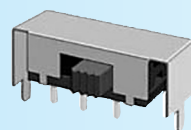
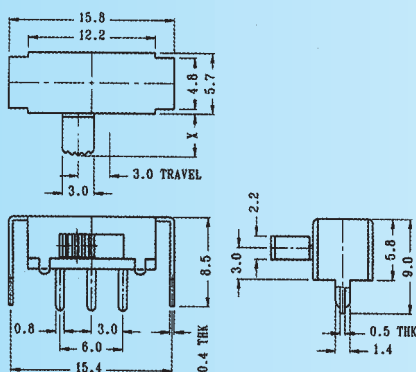
Optional Knob type

GD	GE				

**SK-12F02**

Rating: 0.5A 50V DC

Function: 1P2T



**N** NON-SHORTING

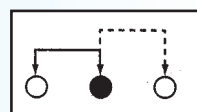
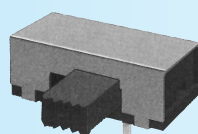
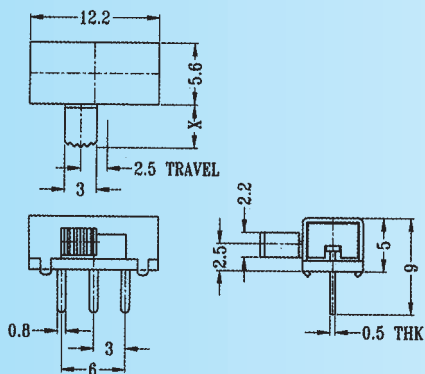
Optional Knob type

GD	GE				

**SK-12F04**

Rating: 0.5A 50V DC

Function: 1P2T



**N** NON-SHORTING

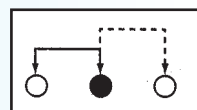
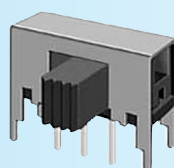
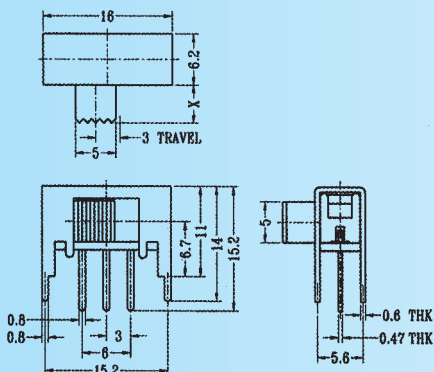
Optional Knob type

GD	GE				

**SK-12F05**

Rating: 0.3A 50V DC

Function: 1P2T



**N** NON-SHORTING

Optional Knob type

GE					