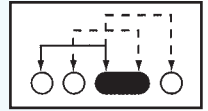


SK-13D18 (L1R3)

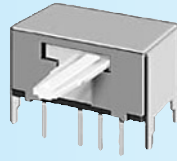
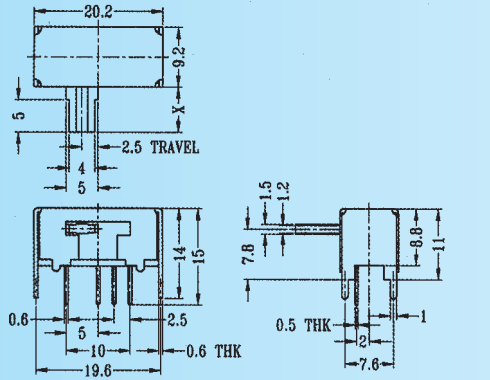
Rating: 0.3A 50V DC
Function: 1P3T



S SHORTING

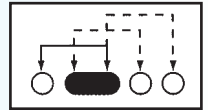
Optional Knob type

GE				



SK-13E12 (L1R3)

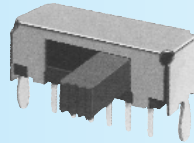
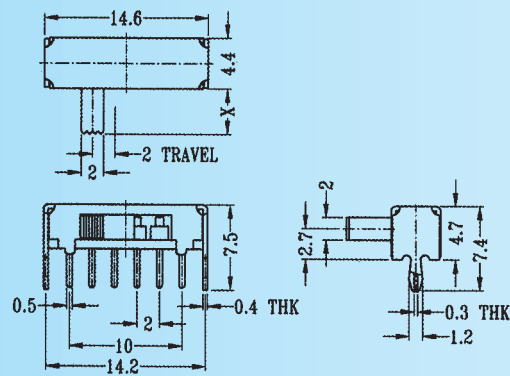
Rating: 0.3A 50V DC
Function: 1P3T



S SHORTING

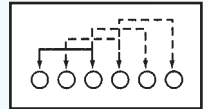
Optional Knob type

TS				



SK-14D01

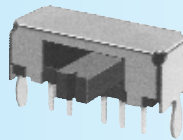
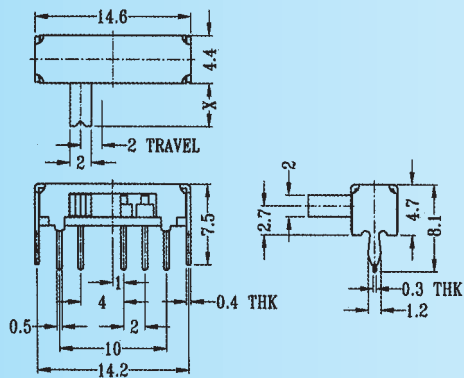
Rating: 0.3A 50V DC
Function: 1P4T



S SHORTING

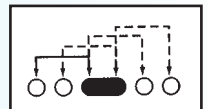
Optional Knob type

VA	GE			



SK-14D02

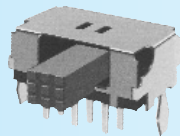
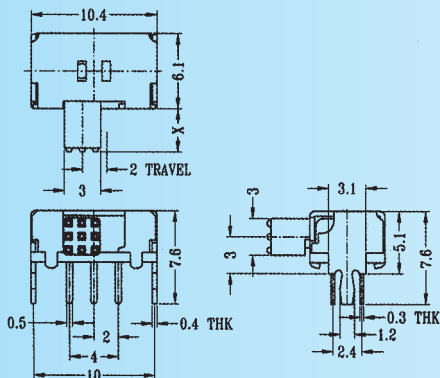
Rating: 0.3A 50V DC
Function: 1P4T



S SHORTING

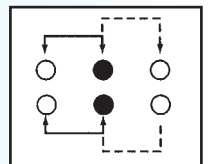
Optional Knob type

VA	GE			



SK-22D02

Rating: 0.3A 50V DC
Function: 2P2T



N NON-SHORTING

Optional Knob type

VA	GE	PG		