

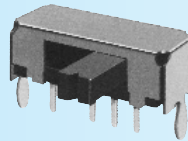
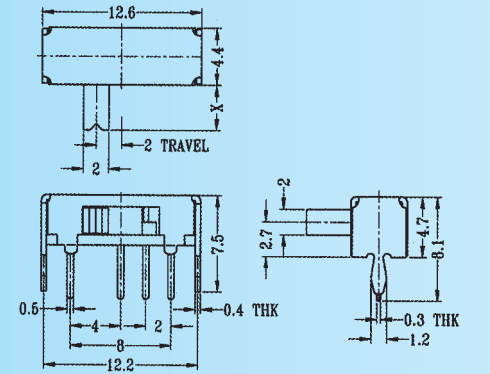
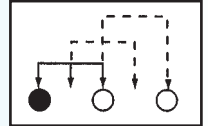
**SK-13D02**

Rating: 0.3A 50V DC  
Function: 1P3T

- N** NON-SHORTING
- S** SHORTING

Optional Knob type

VA	GD				



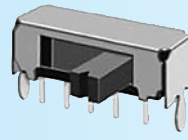
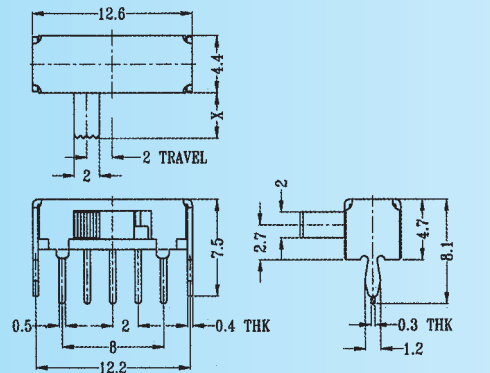
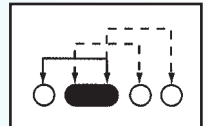
**SK-13D05**

Rating: 0.3A 50V DC  
Function: 1P3T

- S** SHORTING

Optional Knob type

VA					



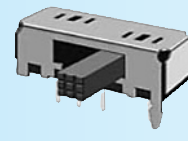
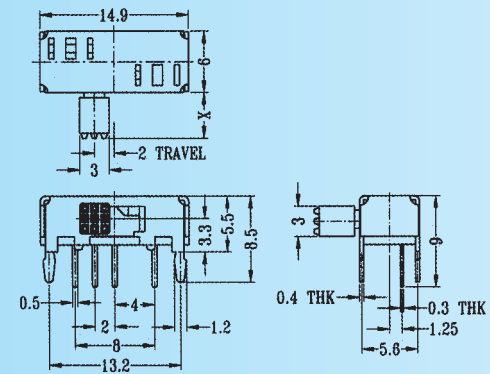
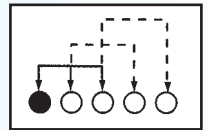
**SK-13D10**

Rating: 0.3A 50V DC  
Function: 1P3T

- S** SHORTING

Optional Knob type

VA	GE				



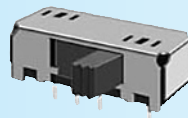
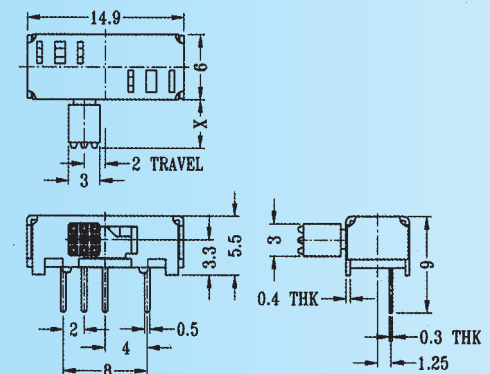
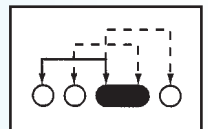
**SK-13D12 (L3R1)**

Rating: 0.3A 50V DC  
Function: 1P3T

- S** SHORTING

Optional Knob type

GE	PG	VA			



**SK-13D13 (L3R1)**

Rating: 0.3A 50V DC  
Function: 1P3T

- S** SHORTING

Optional Knob type

GE	PG	VA			

