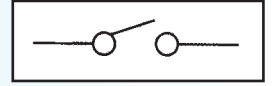
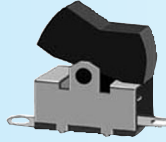
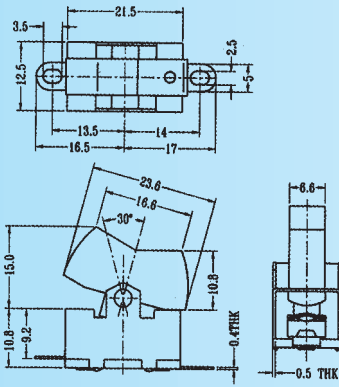


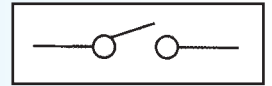
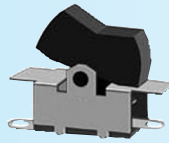
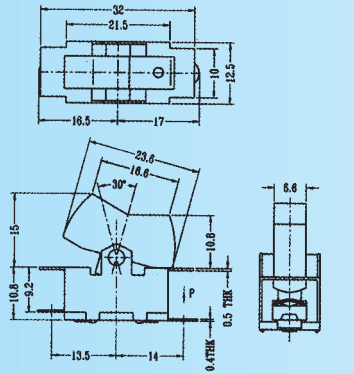
RS-1122

Rating: 0.5A 50V AC
Function: 1P1T



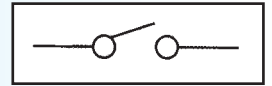
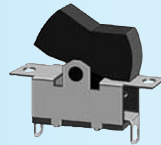
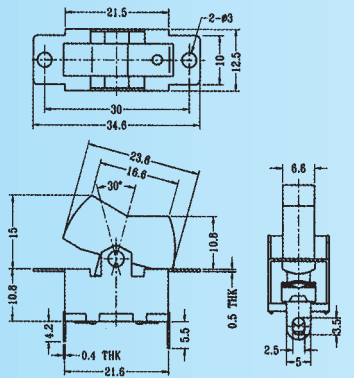
RS-1132

Rating: 0.5A 50V AC
Function: 1P1T



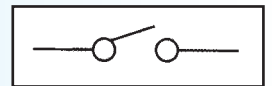
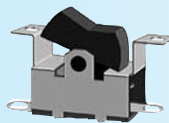
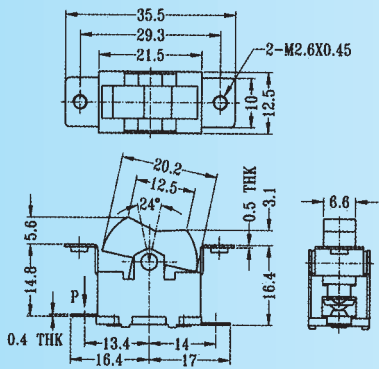
RS-1135

Rating: 0.5A 50V AC
Function: 1P1T



RS-1136

Rating: 0.5A 50V AC
Function: 1P1T



RS-1138

Rating: 0.5A 50V AC
Function: 1P1T

