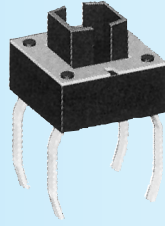
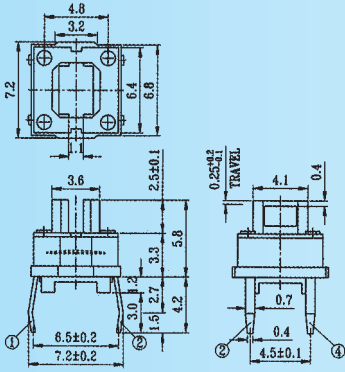
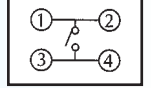


## TC-1194 LED TACT SWITCH

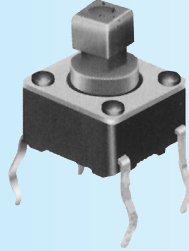
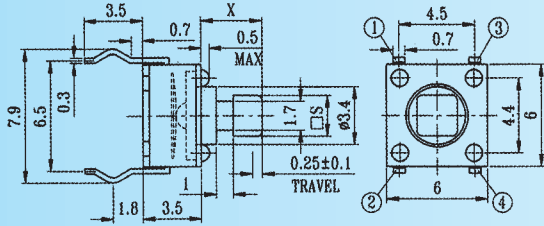


1. RATING: DC 12V 50mA
2. TRAVEL: 0.25 ± 0.2-0.1 mm
3. CONTACT RESISTANCE 100mΩ MAX
4. OPERATING FORCE: 160±50gf

CIRCUIT DIAGRAM



## TC-2401 series

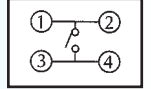


MODEL	Stem Dimension	Stem length, mm
TC-2401	2.4 x 2.4 mm	3.6
TC-2402	2.4 x 2.4 mm	3.9
TC-2801	2.4 x 2.8 mm	3.6

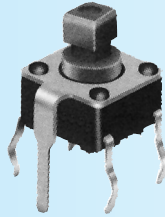
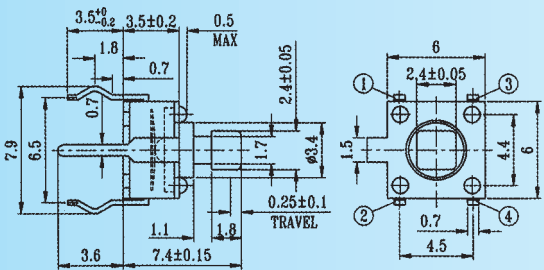
CODE	Operating Force, gf
T	100±30
V	130±30
X	160±50
W	170±50
Y	190±50
Z	250±100

1. RATING: DC 12V 50mA
2. TRAVEL: 0.25 ± 0.1 mm
3. CONTACT RESISTANCE 100mΩ MAX

CIRCUIT DIAGRAM



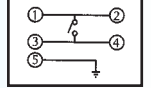
## TC-2412 series



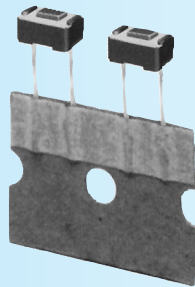
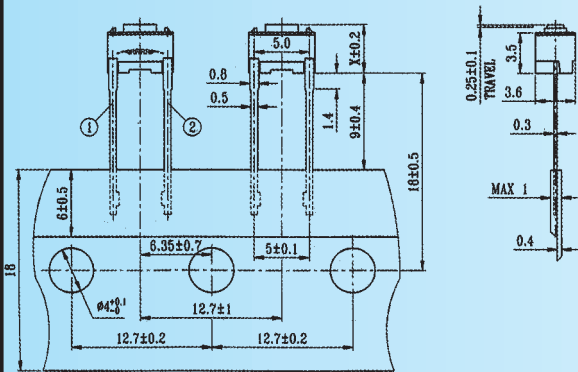
CODE	Operating Force, gf
T	100±30
V	130±30
X	160±50
W	170±50
Y	190±50
Z	250±100
N	350±100
R	500±100

1. RATING: DC 12V 50mA
2. TRAVEL: 0.25 ± 0.1 mm
3. CONTACT RESISTANCE 100mΩ MAX
4. STEM DIMENSION 2.4 x 2.4 mm
5. STEM LENGTH 3.6 mm

CIRCUIT DIAGRAM



## TC-3120 series



MODEL	Stem length, mm	CODE	Operating Force, gf
TC-3120	4.3	Y	180±50
TC-3121	5	Z	250±50
TC-3122	8		

1. RATING: DC 12V 50mA
2. TRAVEL: 0.25 ± 0.1 mm
3. CONTACT RESISTANCE 100mΩ MAX

CIRCUIT DIAGRAM

