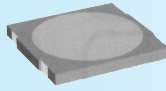
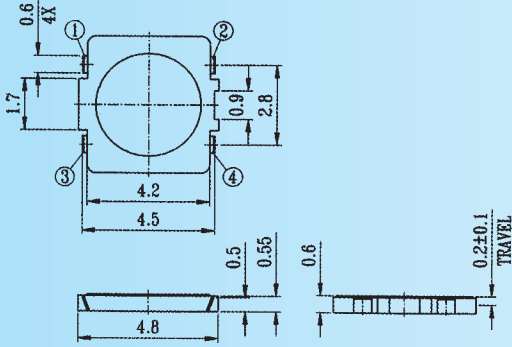
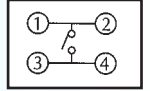


TD-18XA anti dust

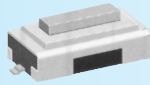
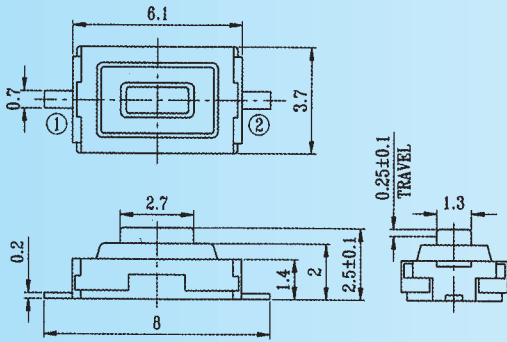


1. RATING: DC 12V 50mA
2. TRAVEL: 0.2 ± 0.1 mm
3. CONTACT RESISTANCE 100mΩ MAX
4. TAPE & REEL OPTION: NO
5. OPERATING FORCE: 160gf ± 50gf

CIRCUIT DIAGRAM



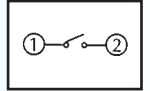
TD-19XA series anti dust



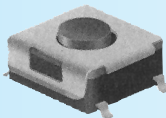
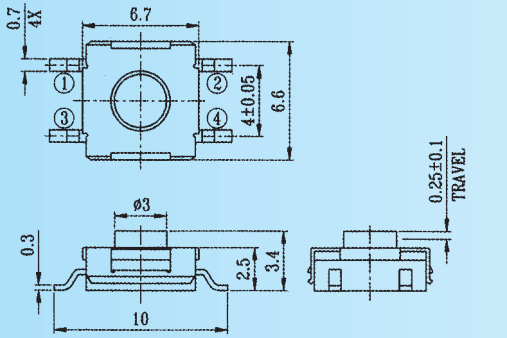
CODE	Operating Force, gf
X	180±50
Z	250±100

1. RATING: DC 12V 50mA
2. TRAVEL: 0.25 ± 0.1 mm
3. CONTACT RESISTANCE 100mΩ MAX
4. TAPE & REEL OPTION: YES

CIRCUIT DIAGRAM



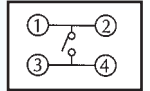
TD-20XA series seal type



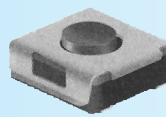
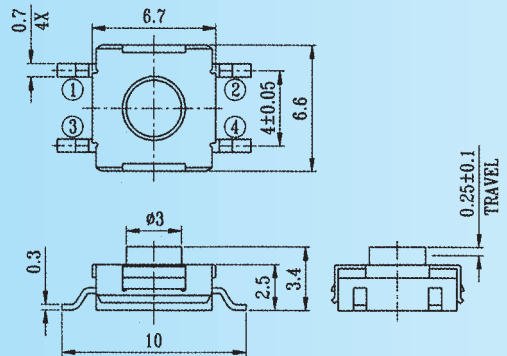
MODEL	Stem Length, mm	TAPE & REEL OPTION
TD-20XA	2.6	Yes
TD-20XB	3.4	Yes

1. RATING: DC 12V 50mA
2. TRAVEL: 0.25 ± 0.1 mm
3. CONTACT RESISTANCE 100mΩ MAX
4. OPERATING FORCE: 160gf ± 50gf

CIRCUIT DIAGRAM



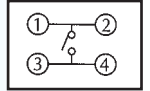
TD-20UA series seal type



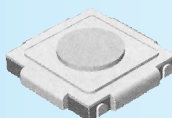
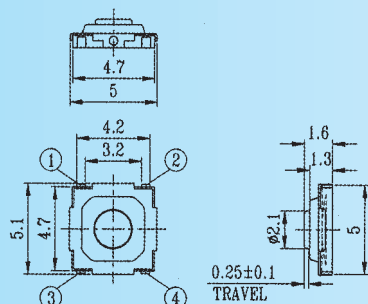
MODEL	Stem Length, mm	TAPE & REEL OPTION
TD-20UA	2.6	Yes
TD-20UB	3.4	Yes

1. RATING: DC 12V 50mA
2. TRAVEL: 0.25 ± 0.1 mm
3. CONTACT RESISTANCE 100mΩ MAX
4. OPERATING FORCE: 160gf ± 50gf

CIRCUIT DIAGRAM



TD-23MU anti dust metal stem version



1. RATING: DC 12V 50mA
2. TRAVEL: 0.25 ± 0.05 mm
3. CONTACT RESISTANCE 100mΩ MAX
4. OPERATING FORCE: 160gf ± 50gf

CIRCUIT DIAGRAM

