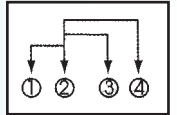


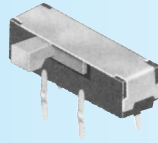
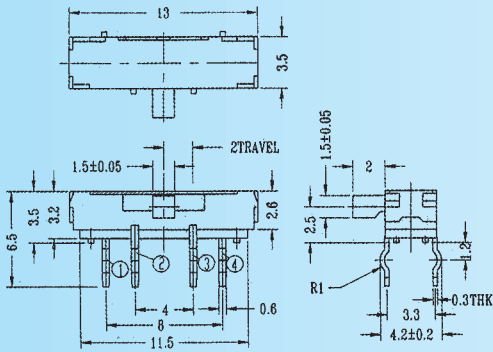
MK13C01

N NON-SHORTING

Rating: 0.3A 6V DC
 Travel: 1.5 mm
 Function: 1P3T
 Operating Force: 200 gf ± 100 gf
 Initial Contact Resistance: 70 mΩ MAX

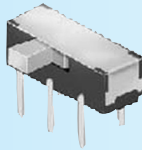
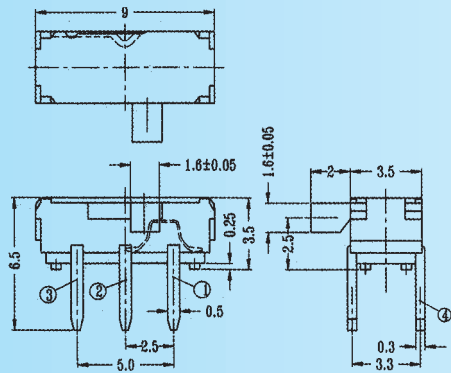
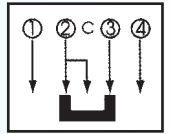


MODEL	Ground Terminal	Knob Thickness, mm	Tape & Reel Option
MK-13C01-PA	With	0.4	Yes
MK-13C01-PB	With	1.1	Yes
MK-13C01-NA	Without	0.4	Yes
MK-13C01-NB	Without	1.1	Yes



MK13D38

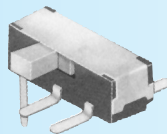
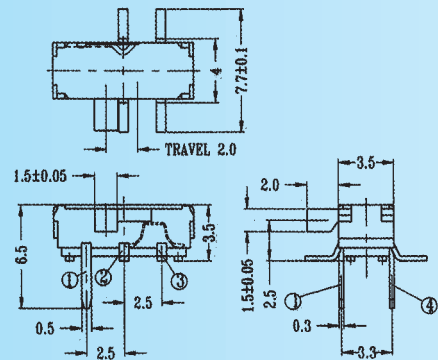
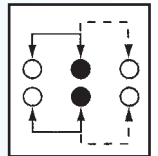
Rating: 0.3A 6V DC
 Travel: 2 mm
 Function: 2P2T
 Operating Force: 250 gf ± 150 gf
 Initial Contact Resistance: 70 mΩ MAX



MK22D10

N NON-SHORTING

Rating: 0.3A 6V DC
 Travel: 2 mm
 Function: 2P2T
 Operating Force: 250 gf ± 150 gf
 Initial Contact Resistance: 70 mΩ MAX

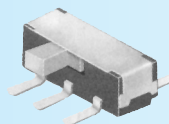
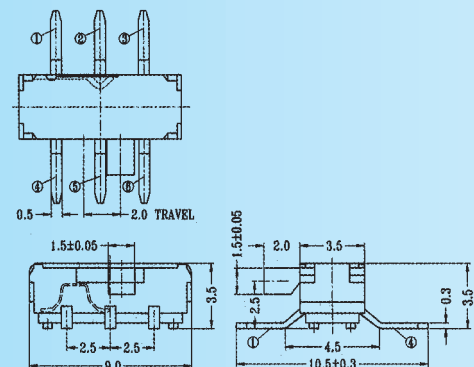
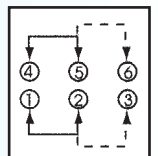


MK22D13

N NON-SHORTING

S SHORTING

Rating: 0.3A 6V DC
 Travel: 2 mm
 Function: 2P2T
 Operating Force: 250 gf ± 150 gf



MK22D14

N NON-SHORTING

Rating: 0.3A 6V DC
 Travel: 2 mm
 Function: 2P2T
 Operating Force: 250 gf ± 150 gf
 Initial Contact Resistance: 70 mΩ MAX

