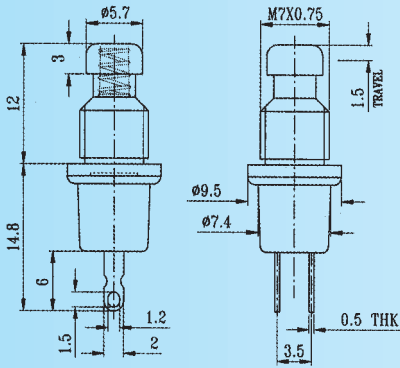
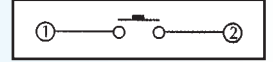


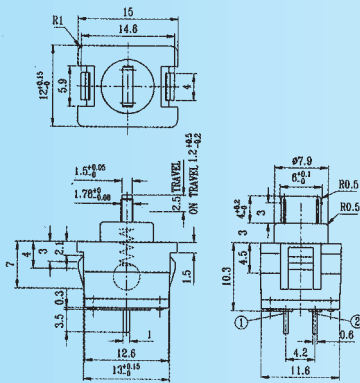
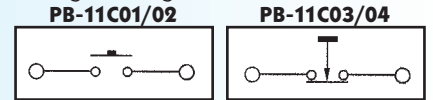
PB-11B01 (NON-LOCK)

Rating: 0.1A 30V DC
 Function: 1P1T
 Operating Force: 200gf ± 50gf



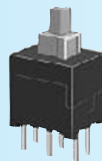
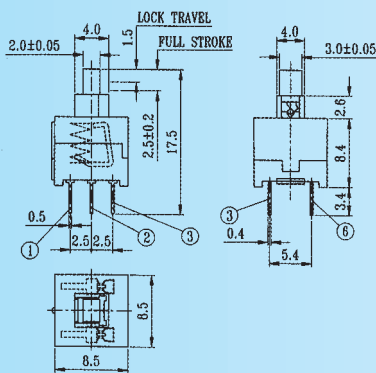
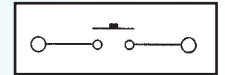
PB-11C01 PRESS ON / UN-THREADED PB-11C02 PRESS ON / THREADED PB-11C03 PRESS OFF / THREADED PB-11C04 PRESS OFF / UN-THREADED

Optional Accessory: AZ-002, AZ-006
 Rating: 0.3A 50V DC
 Function: 1P1T
 Operating Force: 200gf ± 100gf



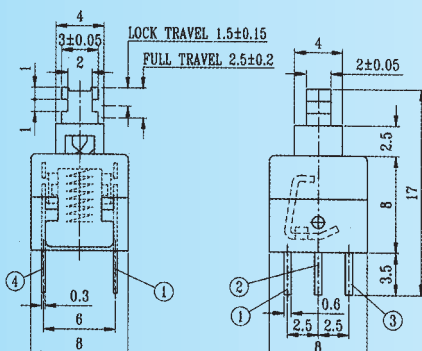
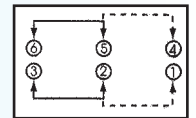
PB-11E01

Rating: 0.1A 30V DC
 Function: 1P1T
 Operating Force: 100gf ± 30gf



PB-22E06 (SELF-LOCK) **N** NON-SHORTING PB-22E06S (SELF-LOCK) **S** SHORTING PB-22E16 (NON-LOCK) **N** NON-SHORTING PB-22E16S (NON-LOCK) **S** SHORTING PB-22E16C (NON-LOCK WITH CLICK) **N** NON-SHORTING PB-22E16CS (NON-LOCK WITH CLICK) **S** SHORTING

Rating: 0.1A 30V DC
 Function: 2P2T
 Operating Force: 200gf ± 100gf



PB-22E08 (SELF-LOCK) PB-22E18 (NON-LOCK)

Rating: 0.1A 30V DC
 Function: 2P2T
 Operating Force: 200gf ± 100gf

N NON-SHORTING

