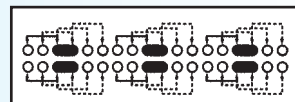


## TS-84E01

Rating: 0.3A 50V DC

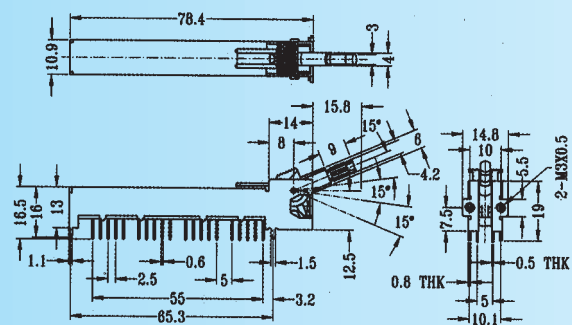
Function: 8P4T



**S** SHORTING

Optional Knob type

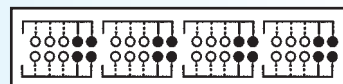
TD				



## NS-84E02

Rating: 0.3A 50V DC

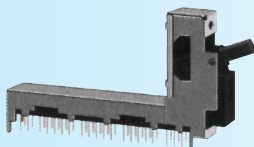
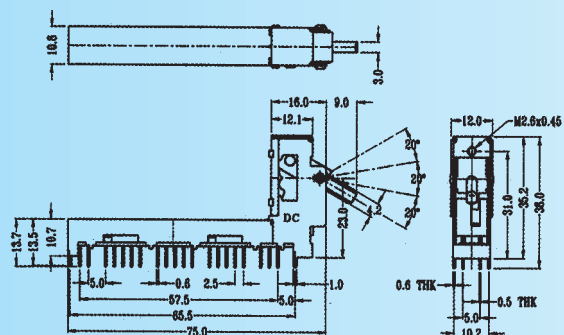
Function: 8P4T



**N** NON-SHORTING

Optional Knob type

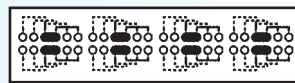
TG				



## TS-84E03

Rating: 0.3A 50V DC

Function: 8P4T



**S** SHORTING

Optional Knob type

TD				