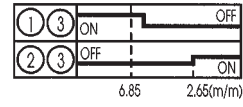


HS-12L01

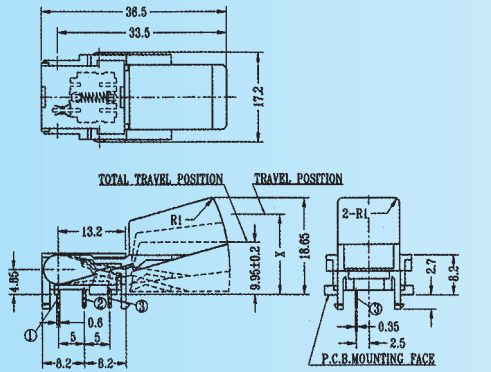
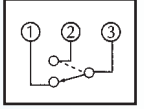
Function: 1P2T

CIRCUIT DIAGRAM

TIMING



TRAVEL POSITION (X) (M/M)

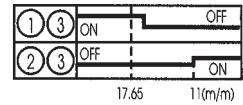


HS-12L02

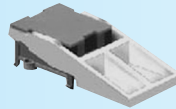
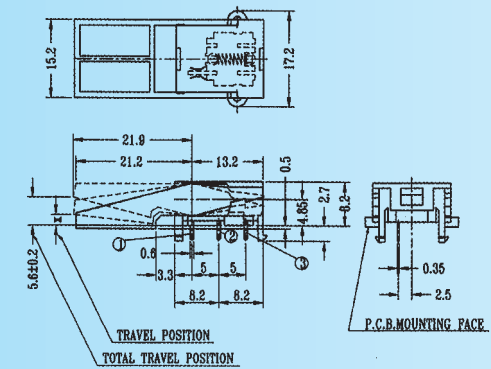
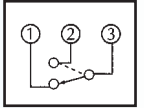
Function: 1P2T

CIRCUIT DIAGRAM

TIMING



TRAVEL POSITION (X) (M/M)

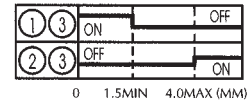


HS-12L03

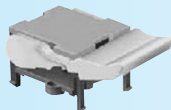
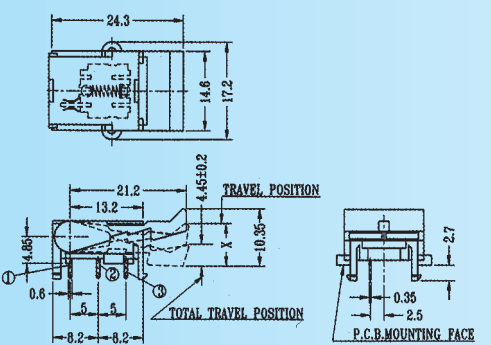
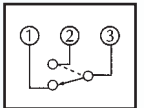
Function: 1P2T

CIRCUIT DIAGRAM

TIMING



TRAVEL POSITION (X) (M/M)

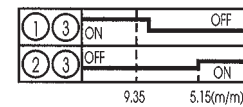


HS-12L04

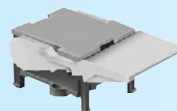
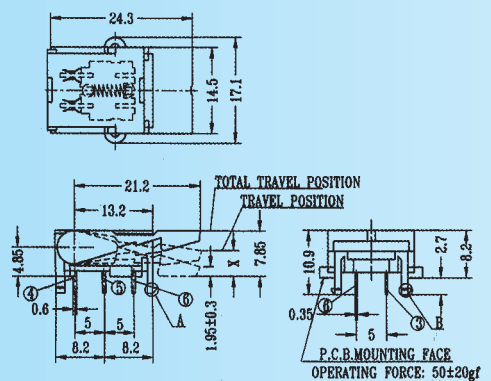
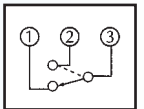
Function: 1P2T

CIRCUIT DIAGRAM

TIMING



TRAVEL POSITION (X) (M/M)

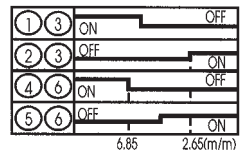


HS-22L01

Function: 2P2T

CIRCUIT DIAGRAM

TIMING



TRAVEL POSITION (X) (M/M)

