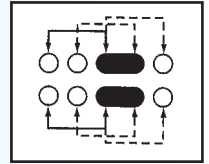


**SK-23E03 (L 3 R 1)**

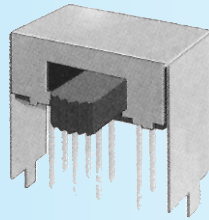
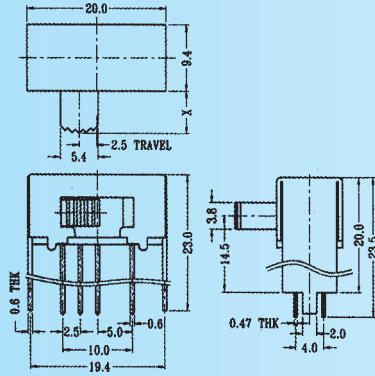
Rating: 0.3A 50V DC  
Function: 2P3T



**S** SHORTING

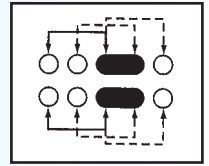
Optional Knob type

<b>MX</b>	<b>GD</b>				



**SK-23E06 (L 3 R 1)**

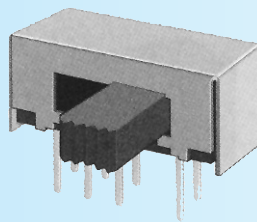
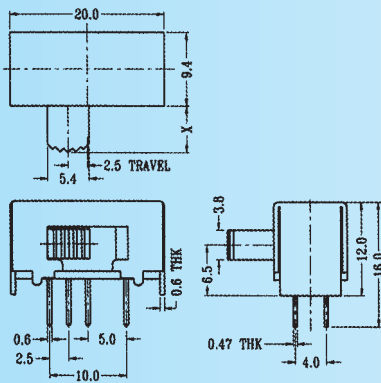
Rating: 0.3A 50V DC  
Function: 2P3T



**S** SHORTING

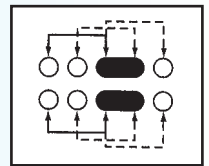
Optional Knob type

<b>MX</b>	<b>GD</b>				



**SK-23E07 (L 3 R 1)**

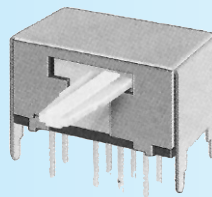
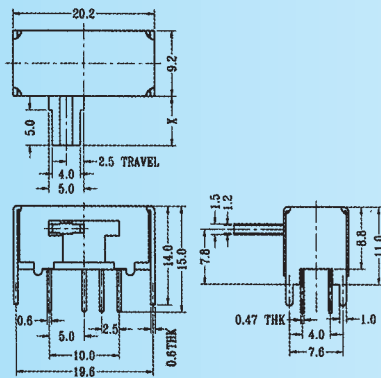
Rating: 0.3A 50V DC  
Function: 2P3T



**S** SHORTING

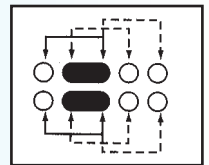
Optional Knob type

<b>MX</b>	<b>GD</b>				



**SK-23E12 (L 1 R 3)**

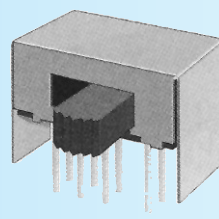
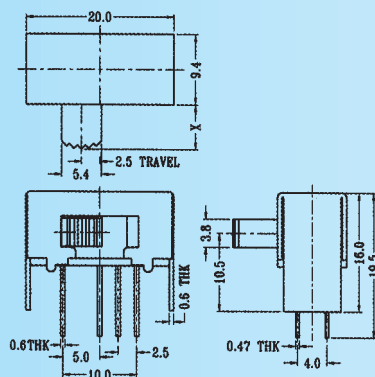
Rating: 0.3A 50V DC  
Function: 2P3T



**S** SHORTING

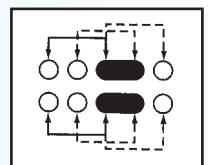
Optional Knob type

<b>TS</b>					



**SK-23E13 (L 3 R 1)**

Rating: 0.3A 50V DC  
Function: 2P3T



**S** SHORTING

Optional Knob type

<b>MX</b>	<b>GD</b>				