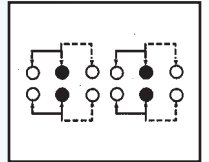


**SK-42D05**

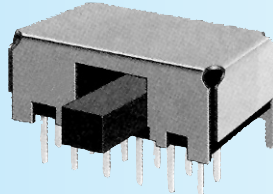
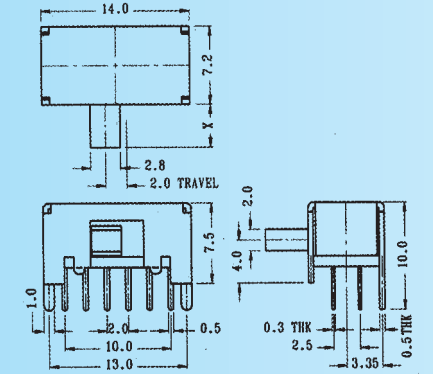
Rating: 0.3A 50V DC  
Function: 4P2T



**N** NON-SHORTING

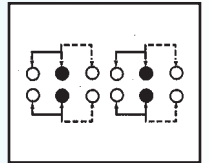
Optional Knob type

GE	VA				



**SK-42D15**

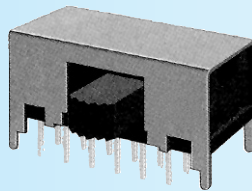
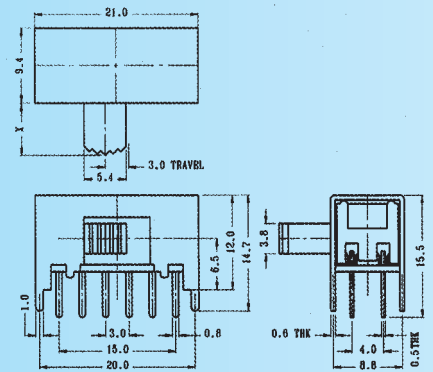
Rating: 0.3A 50V DC  
Function: 4P2T



**S** SHORTING

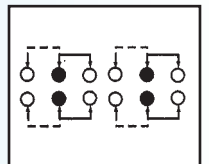
Optional Knob type

TA					



**SK-42F01**

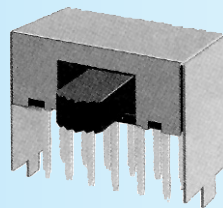
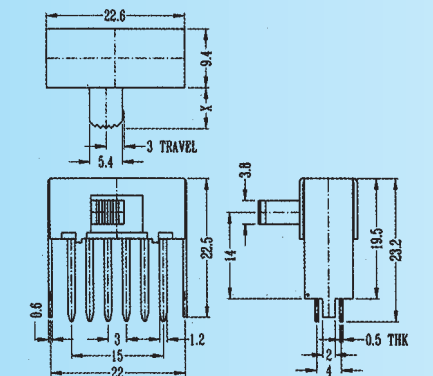
Rating: 0.3A 50V DC  
Function: 4P2T



**N** NON-SHORTING

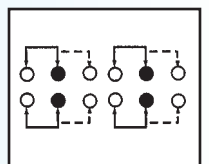
Optional Knob type

AT	MX	GD			



**SK-42F02**

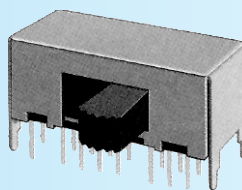
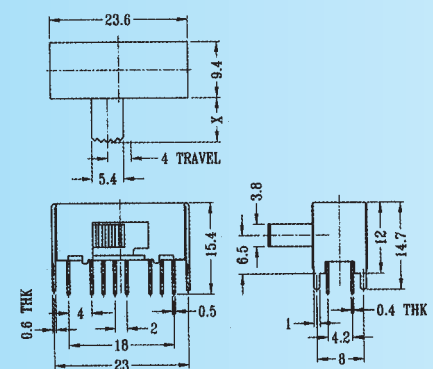
Rating: 0.3A 50V DC  
Function: 4P2T



**N** NON-SHORTING

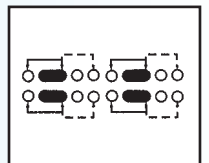
Optional Knob type

AT	MX	GD			



**SK-42H01 (L1R3)**

Rating: 0.3A 50V DC  
Function: 4P2T



Optional Knob type

GD	MX				