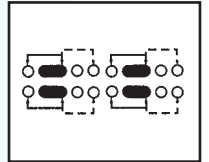
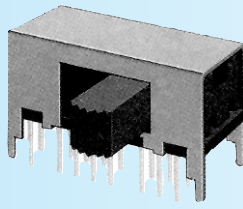
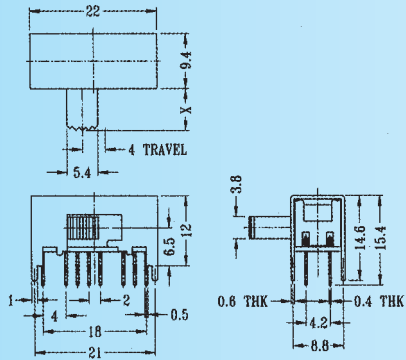


SK-42H03 (L 1 R 3)

Rating: 0.3A 50V DC
Function: 4P2T



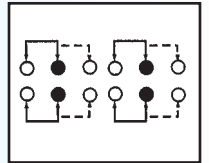
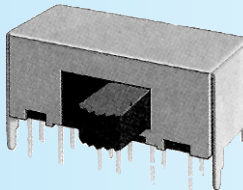
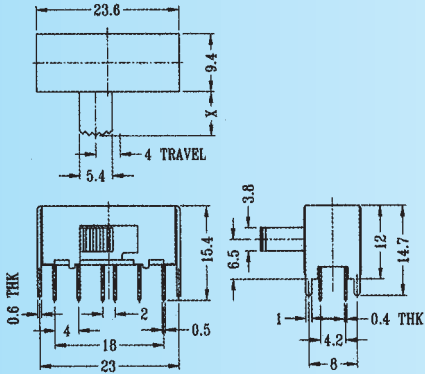
N NON-SHORTING

Optional Knob type

GD	MX				

SK-42H04

Rating: 0.3A 50V DC
Function: 4P2T



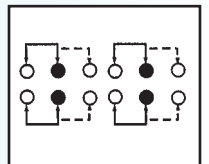
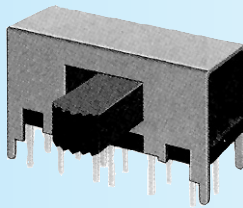
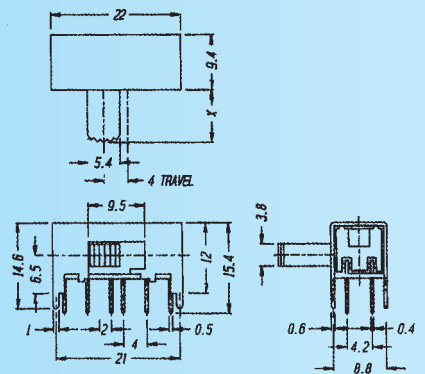
N NON-SHORTING

Optional Knob type

GD	MX				

SK-42H13

Rating: 0.3A 50V DC
Function: 4P2T



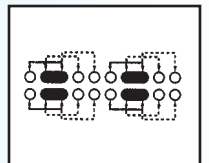
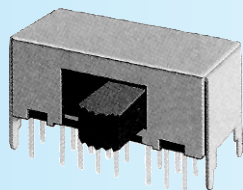
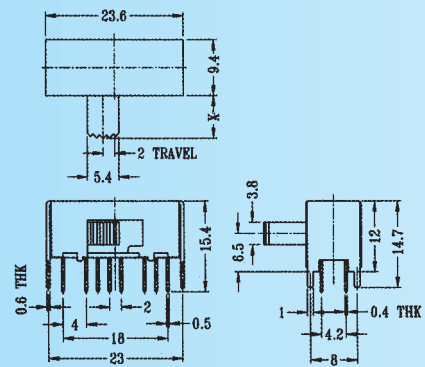
N NON-SHORTING

Optional Knob type

GD	MX				

SK-43D01 (L 1 R 3)

Rating: 0.3A 50V DC
Function: 4P3T



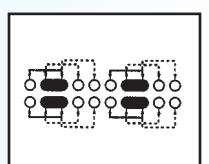
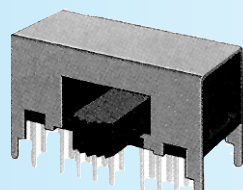
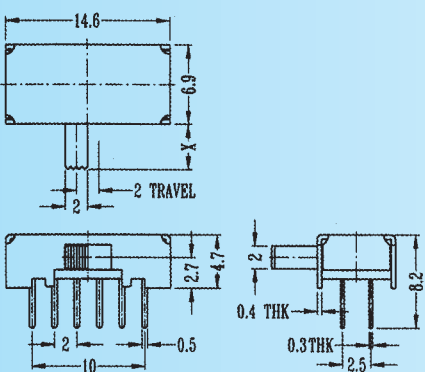
S SHORTING

Optional Knob type

GD	MX				

SK-43D03 (L 1 R 3)

Rating: 0.3A 50V DC
Function: 4P3T



S SHORTING

Optional Knob type

GD	MX				