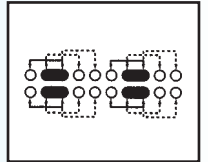


SK-43D08 (L3 R1)

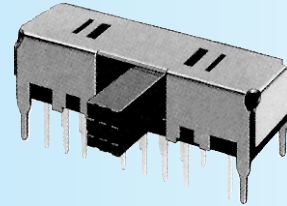
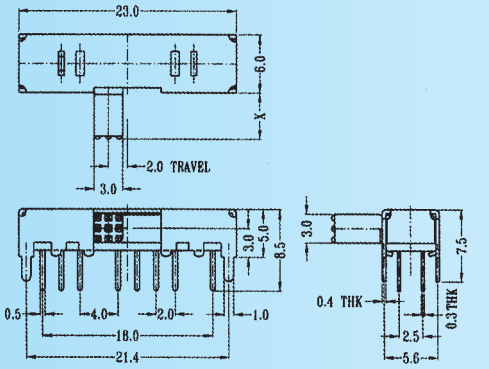
Rating: 0.3A 50V DC
Function: 4P3T



S SHORTING

Optional Knob type

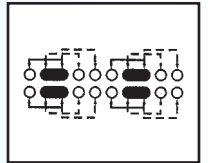
TA	PG				



SK-43D09 (L3 R1)

SK-43D10 (L1 R3)

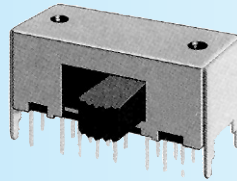
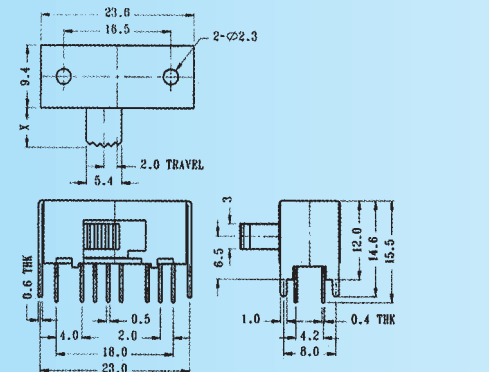
Rating: 0.3A 50V DC
Function: 4P3T



S SHORTING

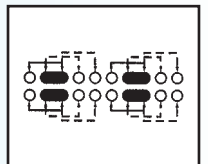
Optional Knob type

TA	PG				



SK-43D11 (L1 R3)

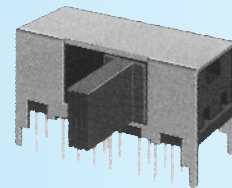
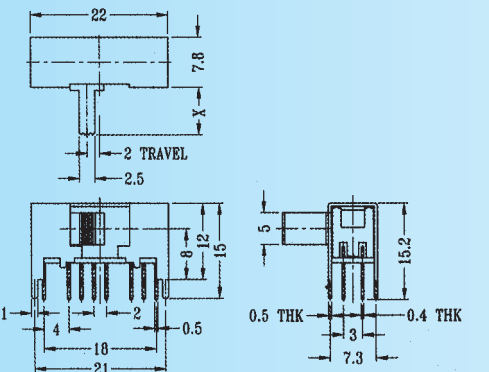
Rating: 0.3A 50V DC
Function: 4P3T



S SHORTING

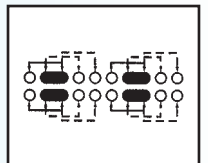
Optional Knob type

GD	MX				



SK-43D14 (L1 R3)

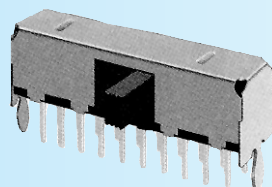
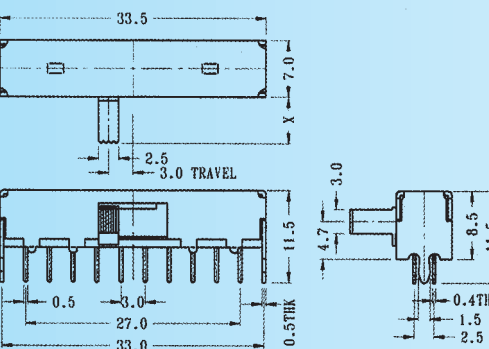
Rating: 0.3A 50V DC
Function: 4P3T



S SHORTING

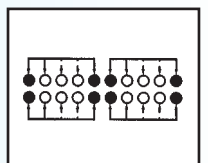
Optional Knob type

GE					



SK-43F01

Rating: 0.3A 50V DC
Function: 4P3T



S SHORTING

Optional Knob type

GE					