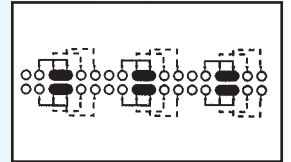


SK-63D15 (L3R2)

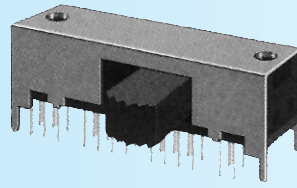
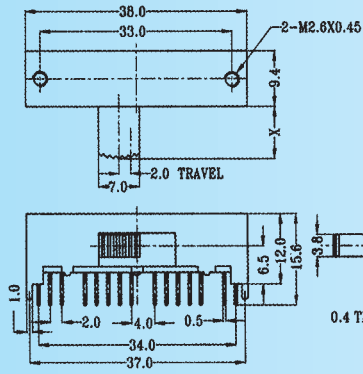
Rating: 0.3A 50V DC
Function: 6P3T



S SHORTING

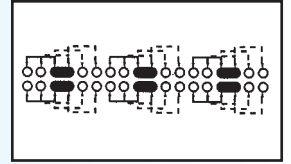
Optional Knob type

GD	MX				



SK-64D01 (L3R2)

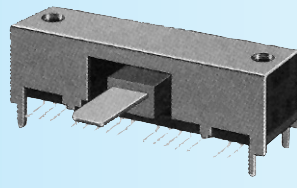
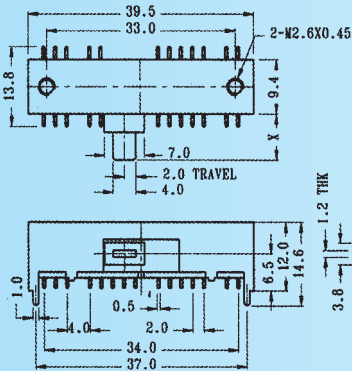
Rating: 0.3A 50V DC
Function: 6P4T



S SHORTING

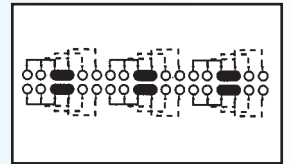
Optional Knob type

GD	MX				



SK-64D03 (L3R2)

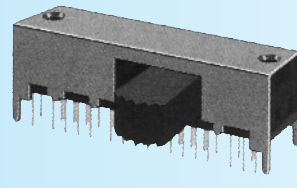
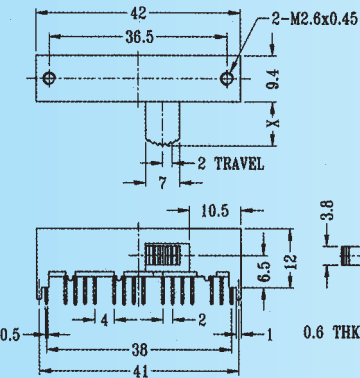
Rating: 0.3A 50V DC
Function: 6P4T



S SHORTING

Optional Knob type

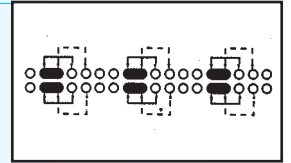
GD	MX				



SK-82D02 (L1R3)

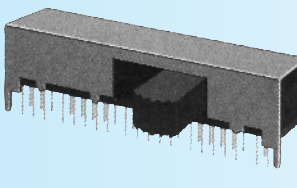
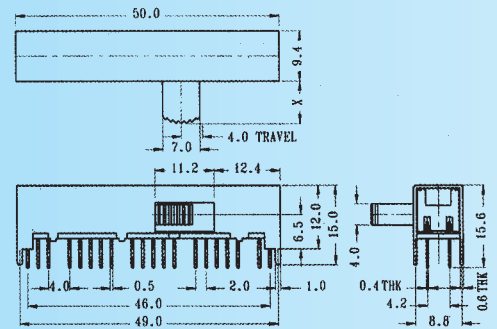
SK-82D08 (L1R3)

Rating: 0.3A 50V DC
Function: 8P2T



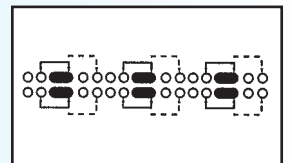
Optional Knob type

GD	GE	MX			



SK-82H01 (L1R3)

Rating: 0.3A 50V DC
Function: 8P2T



Optional Knob type

GD	GE	MX			