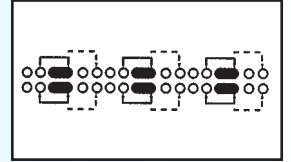
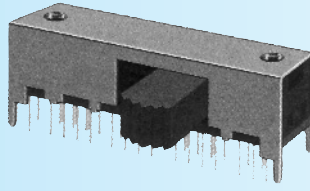
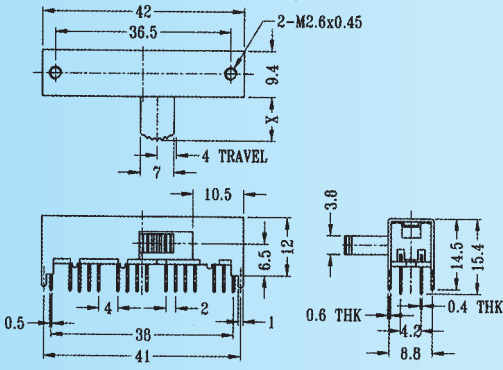


SK-82H02 (L 1 R 3)

Rating: 0.3A 50V DC
Function: 8P2T

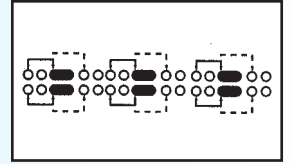
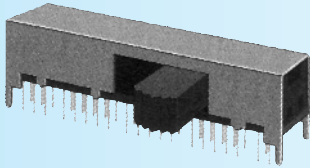
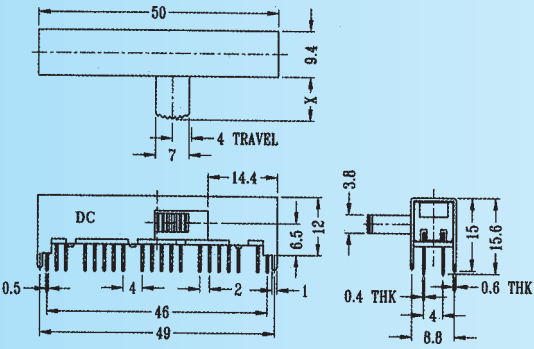


Optional Knob type

GD	GE	MX			

SK-82H08 (L 1 R 3)

Rating: 0.3A 50V DC
Function: 8P2T

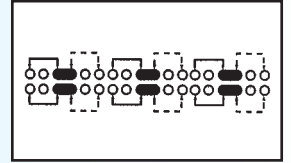
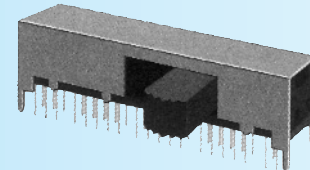
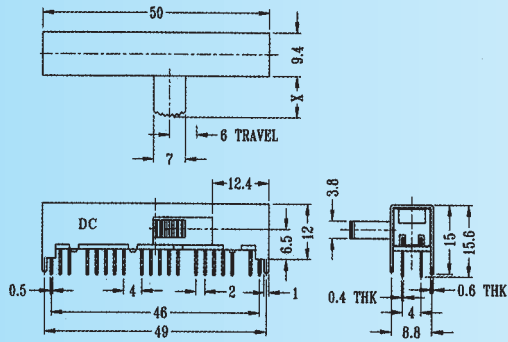


Optional Knob type

GD	GE	MX			

SK-82L01 (L 3 R 2)

Rating: 0.3A 50V DC
Function: 8P2T

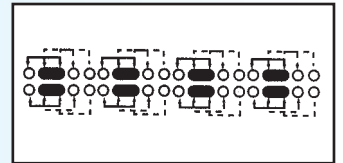
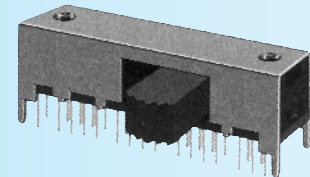
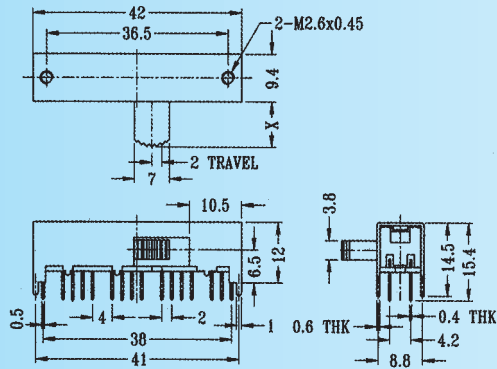


Optional Knob type

GD	MX				

SK-83D02 (L 1 R 3)

Rating: 0.3A 50V DC
Function: 8P3T



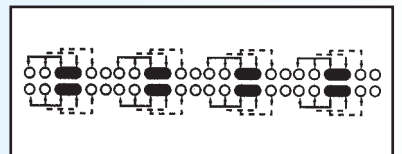
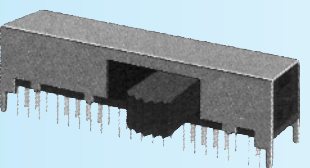
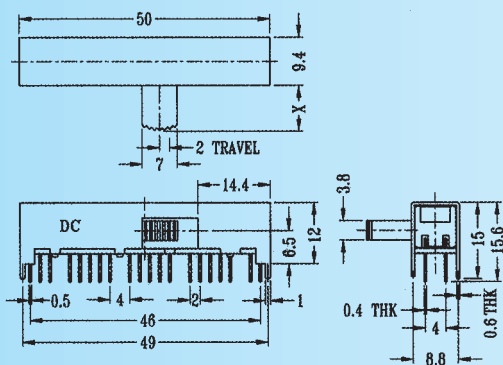
S SHORTING

Optional Knob type

GD	GE	MX			

SK-83D07 (L 3 R 2)

Rating: 0.3A 50V DC
Function: 8P3T



S SHORTING

Optional Knob type

GD	TA	MX			