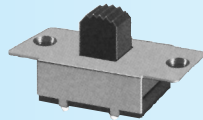
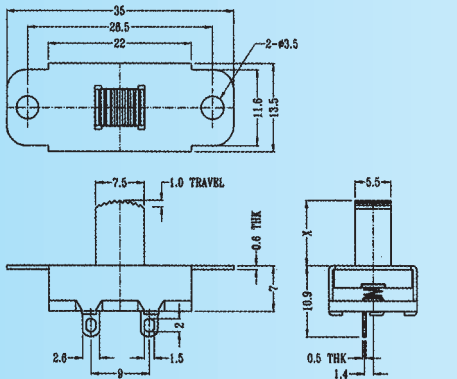
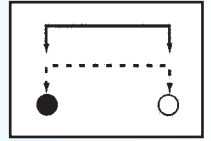


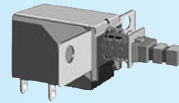
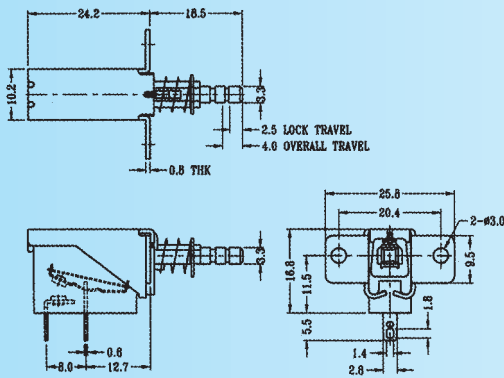
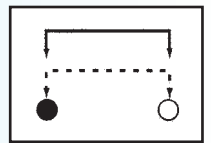
PS-11A02

Rating: 1A 125V AC
0.5A 250V AC
Function: 1P2T



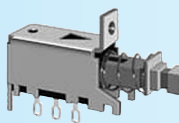
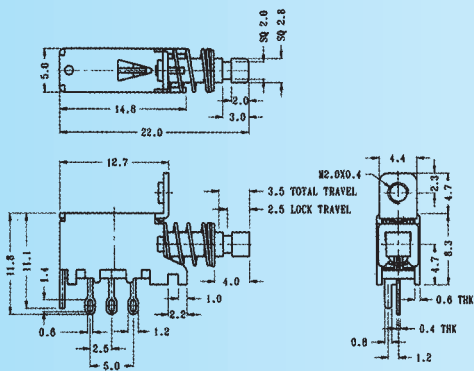
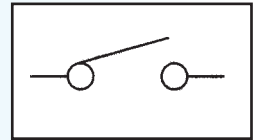
PS-11A03

Rating: 1A 125V AC
0.5A 250V AC
Function: 1P2T



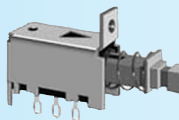
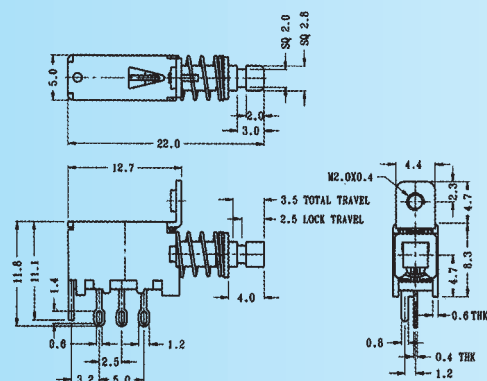
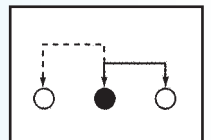
PS-11E01 (LOCKED)

Rating: 8A 125V AC
8A 250V AC
Function: 1P2T



PS-12E01 (LOCKED)

Rating: 0.3A 50V DC
Function: 1P2T



PS-12E03 (LOCKED)

Rating: 0.3A 50V DC
Function: 1P2T

