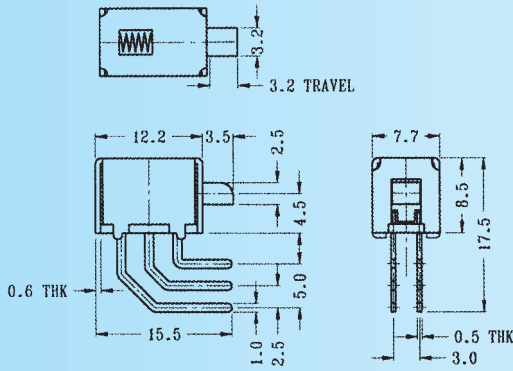
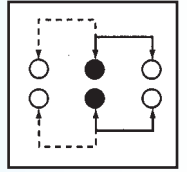


PS-22F92

Rating: 0.3A 50V DC
Function: 2P2T

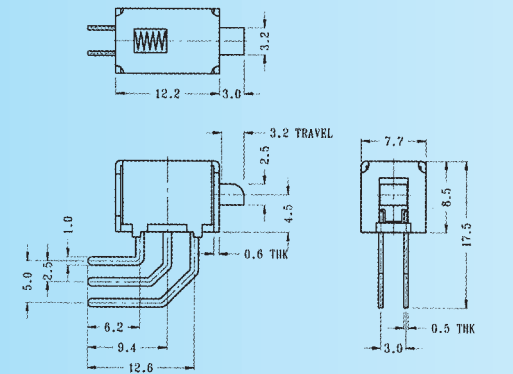


N NON-SHORTING

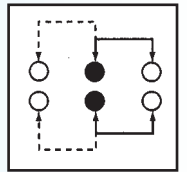


PS-22F93

Rating: 0.3A 50V DC
Function: 2P2T

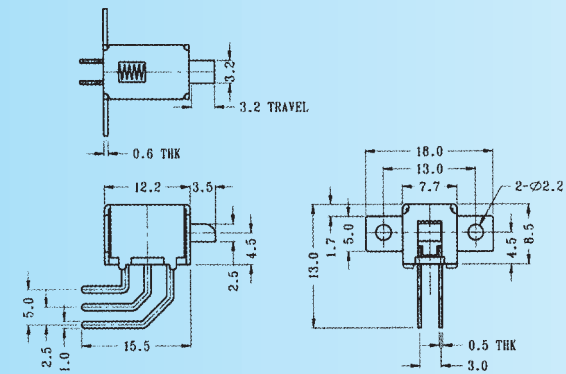


N NON-SHORTING

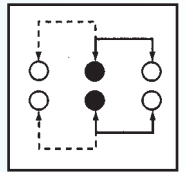


PS-22F94

Rating: 0.3A 50V DC
Function: 2P2T

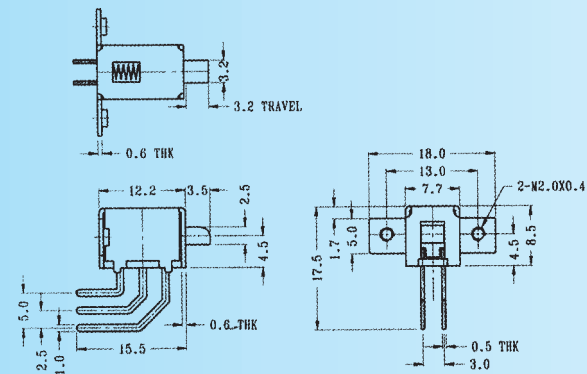


N NON-SHORTING

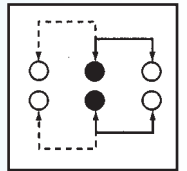


PS-22F98

Rating: 0.3A 50V DC
Function: 2P2T

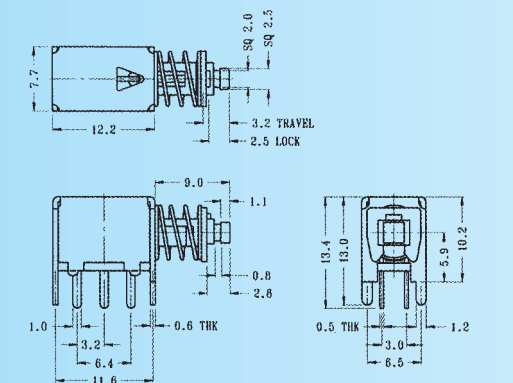


N NON-SHORTING



PS-22F201 (LOCKED)

Rating: 0.3A 50V DC
Function: 2P2T



N NON-SHORTING

