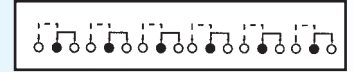
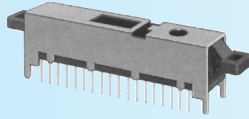
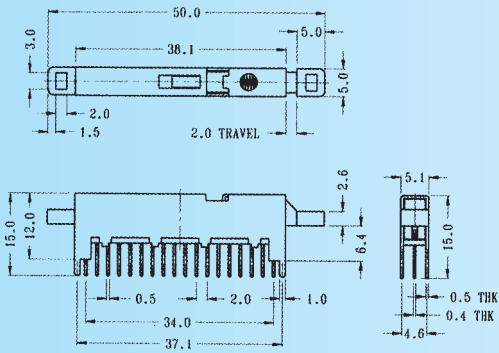


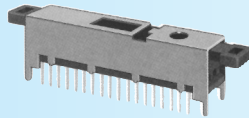
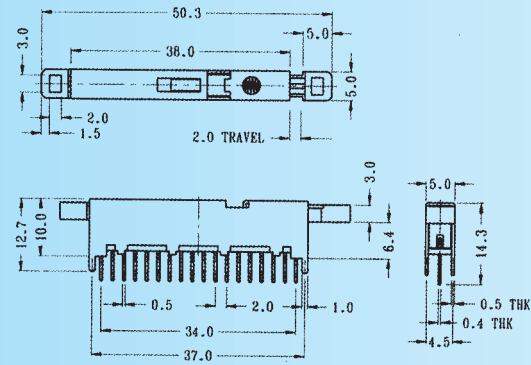
## PS-62D09

Rating: 0.3A 50V DC  
Function: 6P2T

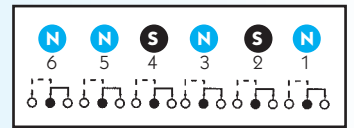


## PS-62D11

Rating: 0.3A 50V DC  
Function: 6P2T

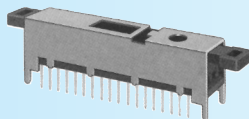
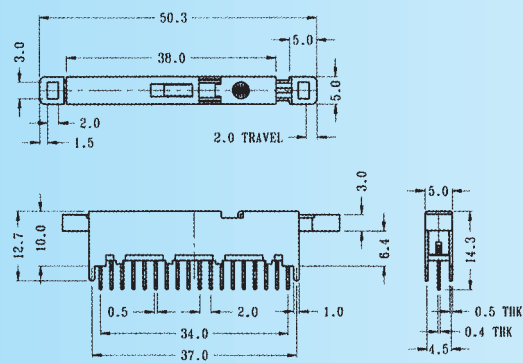


**S** SHORTING  
**N** NON-SHORTING

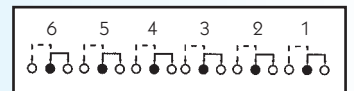


## PS-62D12

Rating: 0.3A 50V DC  
Function: 6P2T

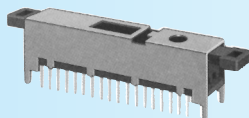
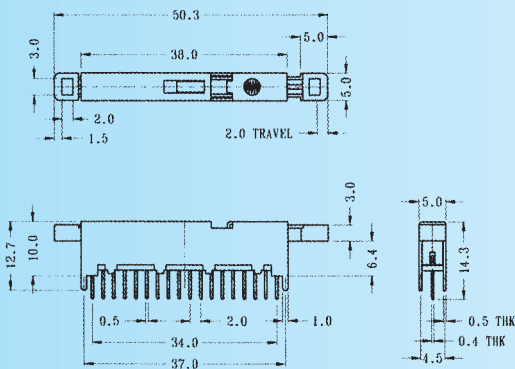


**S** SHORTING  
**N** NON-SHORTING

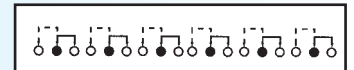


## PS-62D13

Rating: 0.3A 50V DC  
Function: 6P2T

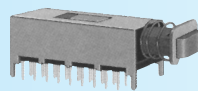
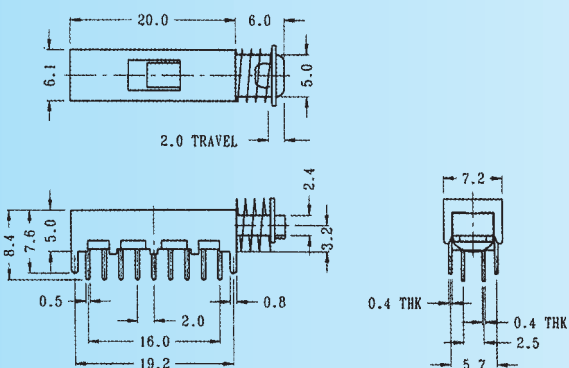


**N** NON-SHORTING



## PS-62D14

Rating: 0.3A 50V DC  
Function: 6P2T



**S** SHORTING  
**N** NON-SHORTING

