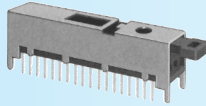
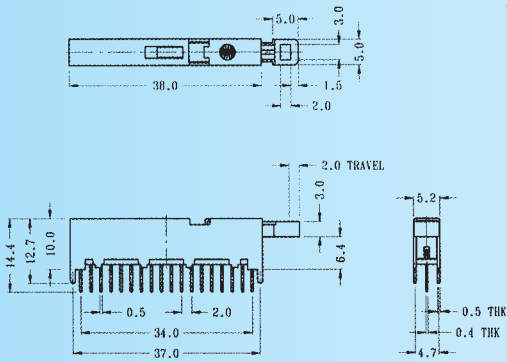


## PS-62D16

Rating: 0.3A 50V DC  
Function: 6P2T

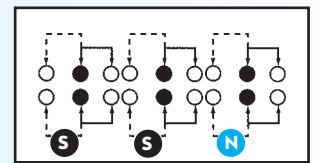
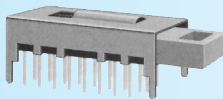
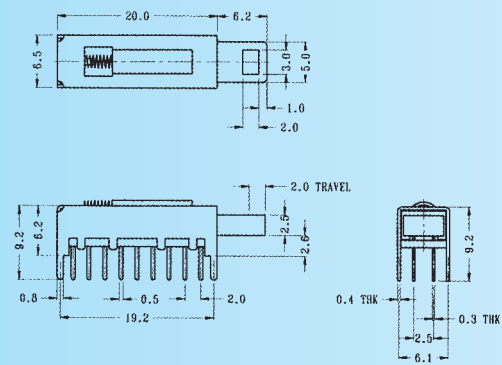


**N** NON-SHORTING



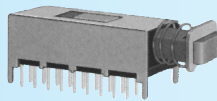
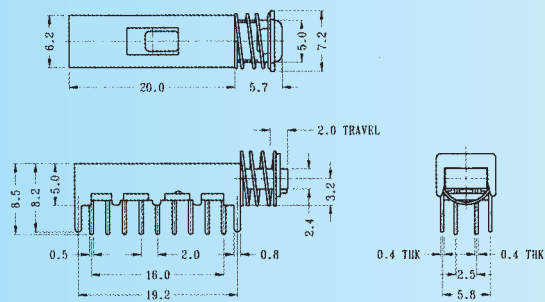
## PS-62D18 (SPRING RETURN)

Rating: 0.3A 50V DC  
Function: 6P2T

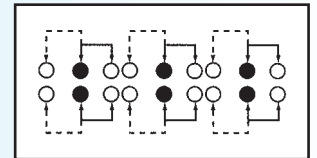


## PS-62D20

Rating: 0.3A 50V DC  
Function: 6P2T

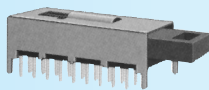
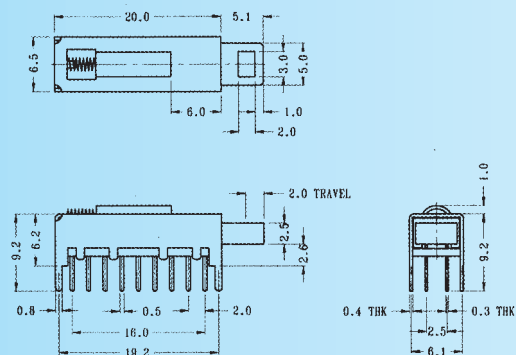


**S** SHORTING

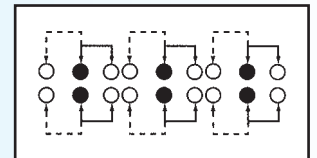


## PS-62D28

Rating: 0.3A 50V DC  
Function: 6P2T



**S** SHORTING



## PS-62E01 **N** NON-SHORTING

## PS-62E03 **S** SHORTING

Rating: 0.3A 50V DC  
Function: 6P2T

