

## PS-22F02 (LOCKED)

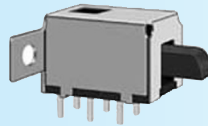
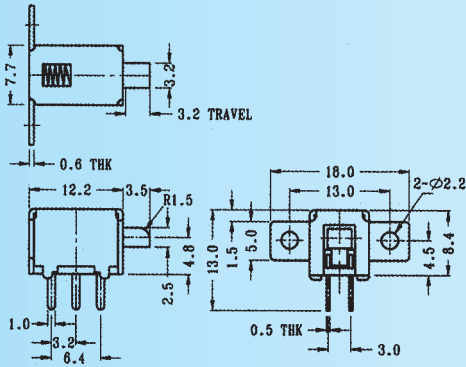
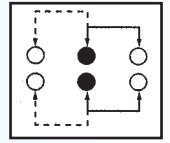
## PS-22F03 (NON-LOCKED)

Rating: 0.3A 50V DC

Function: 2P2T

**S** SHORTING

**N** NON-SHORTING



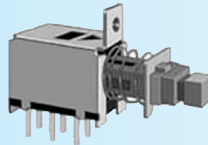
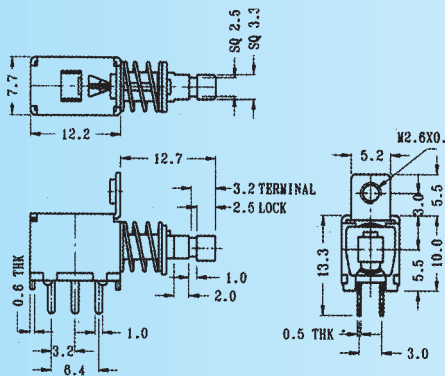
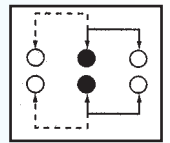
## PS-22F04

Rating: 0.3A 50V DC

Function: 2P2T

**S** SHORTING

**N** NON-SHORTING



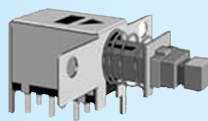
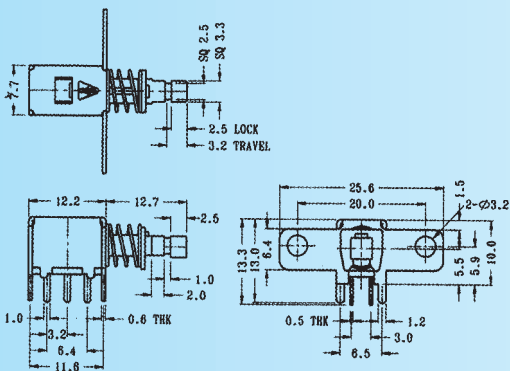
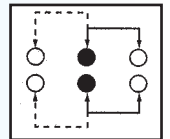
## PS-22F05 (LOCKED)

## PS-22F07 (NON-LOCKED)

Rating: 0.3A 50V DC

Function: 2P2T

**N** NON-SHORTING



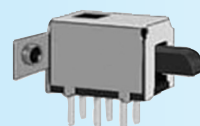
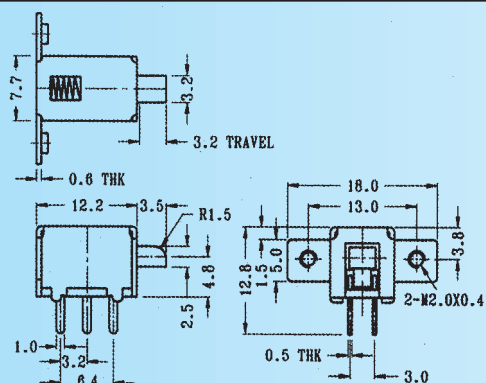
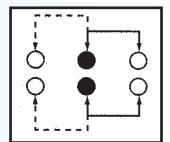
## PS-22F06 (LOCKED)

## PS-22F12 (NON-LOCKED)

Rating: 0.3A 50V DC

Function: 2P2T

**N** NON-SHORTING



## PS-22F08

Rating: 0.3A 50V DC

Function: 2P2T

**N** NON-SHORTING

