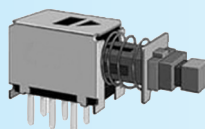
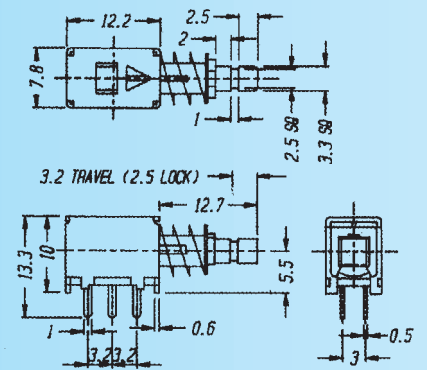
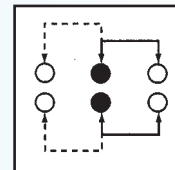


PS-22F09 (LOCKED)
PS-22F10 (NON-LOCKED)

Rating: 0.3A 50V DC
 Function: 2P2T

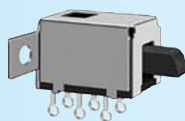
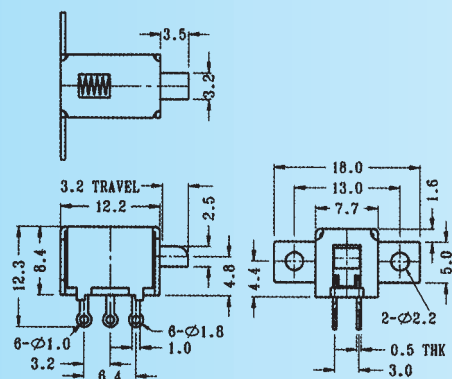
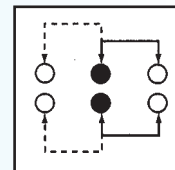
N NON-SHORTING



PS-22F11 (LOCKED)
PS-22F13 (NON-LOCKED)

Rating: 0.3A 50V DC
 Function: 2P2T

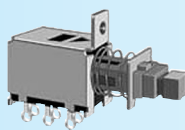
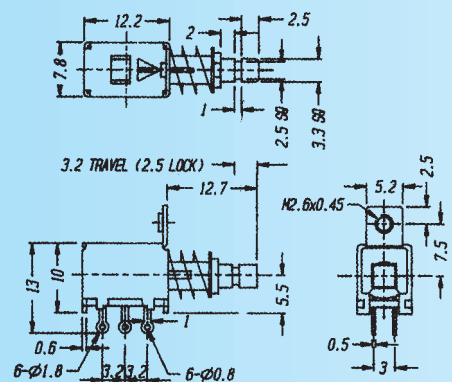
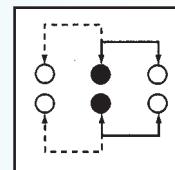
N NON-SHORTING



PS-22F14

Rating: 0.3A 50V DC
 Function: 2P2T

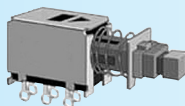
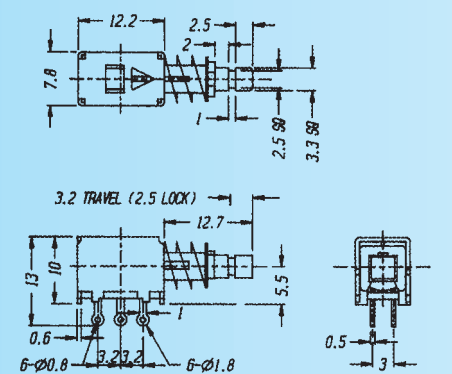
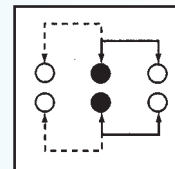
N NON-SHORTING



PS-22F15 (LOCKED)

Rating: 0.3A 50V DC
 Function: 2P2T

N NON-SHORTING



PS-22F16 (LOCKED)
PS-22F19 (NON-LOCKED)

Rating: 0.3A 50V DC
 Function: 2P2T

N NON-SHORTING

