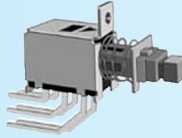
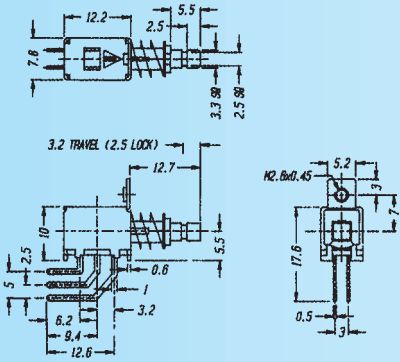


## PS-22F25 (LOCKED)

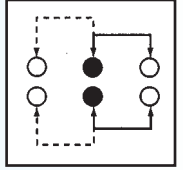
## PS-22F65 (NON-LOCKED)

Rating: 0.3A 50V DC

Function: 2P2T



**N** NON-SHORTING

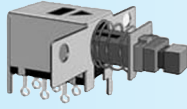
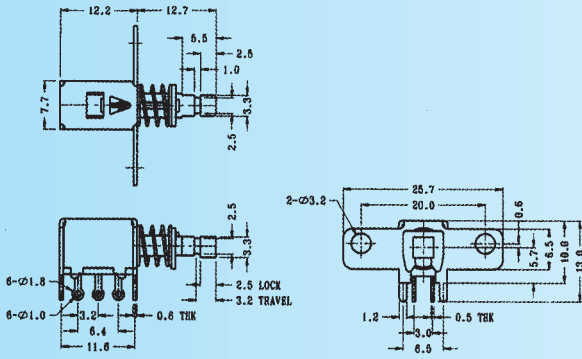


## PS-22F26 (LOCKED)

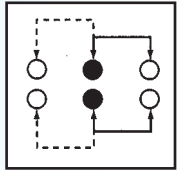
## PS-22F32 (NON-LOCKED)

Rating: 0.3A 50V DC

Function: 2P2T



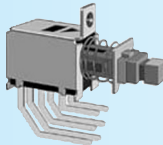
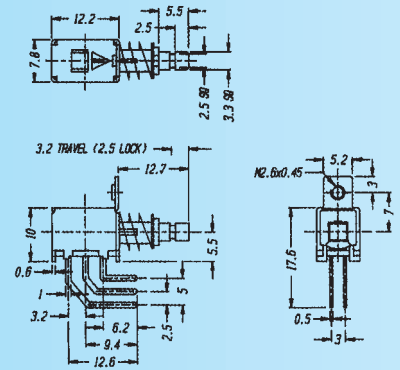
**N** NON-SHORTING



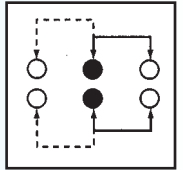
## PS-22F27 (LOCKED)

Rating: 0.3A 50V DC

Function: 2P2T



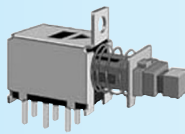
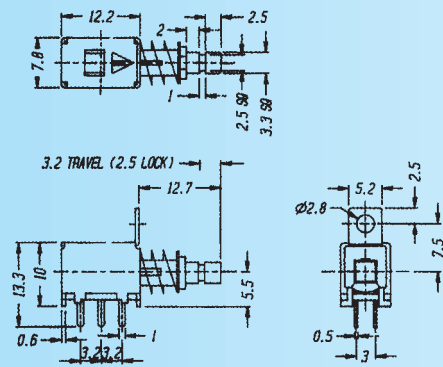
**N** NON-SHORTING



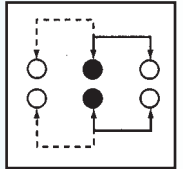
## PS-22F28 (LOCKED)

Rating: 0.3A 50V DC

Function: 2P2T



**N** NON-SHORTING

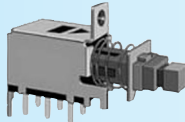
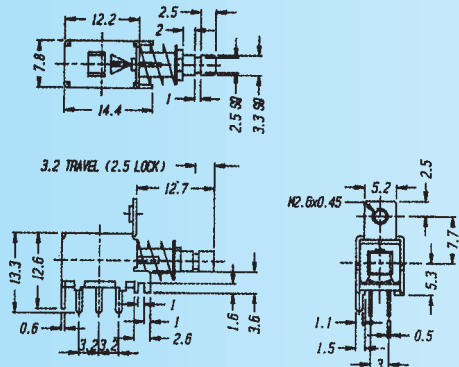


## PS-22F29 (LOCKED)

## PS-22F30 (NON-LOCKED)

Rating: 0.3A 50V DC

Function: 2P2T



**N** NON-SHORTING

