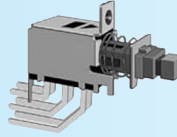
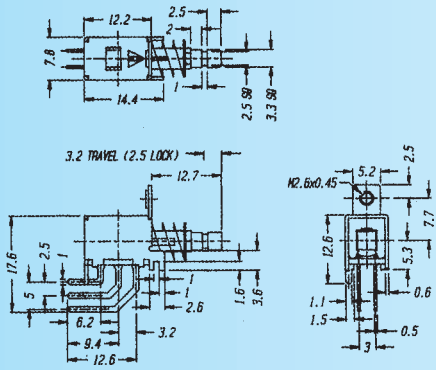
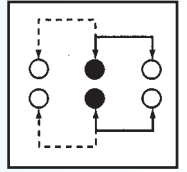


## PS-22F39 (LOCKED)

Rating: 0.3A 50V DC  
Function: 2P2T

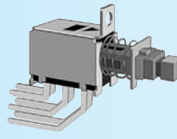
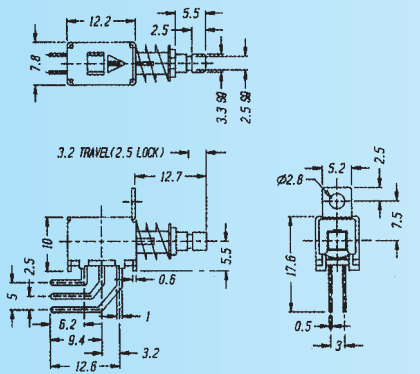


**N** NON-SHORTING

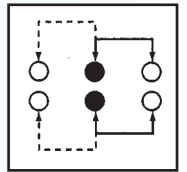


## PS-22F40 (LOCKED)

Rating: 0.3A 50V DC  
Function: 2P2T

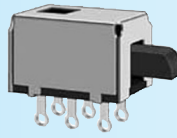
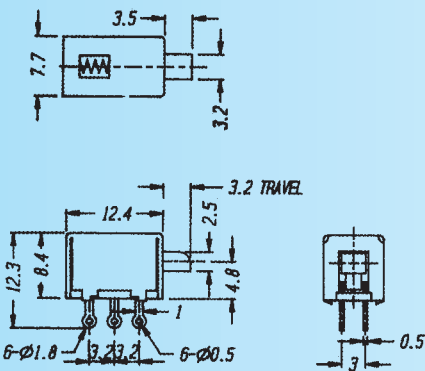


**N** NON-SHORTING

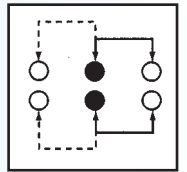


## PS-22F41

Rating: 0.3A 50V DC  
Function: 2P2T

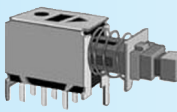
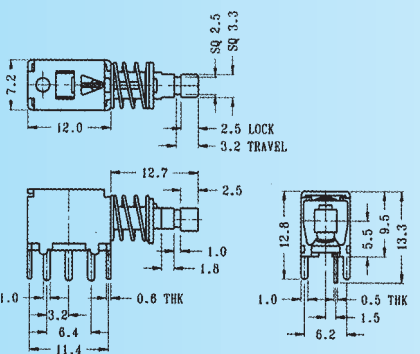


**N** NON-SHORTING

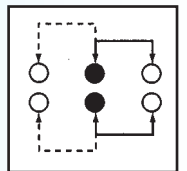


## PS-22F43 (LOCKED)

Rating: 0.3A 50V DC  
Function: 2P2T

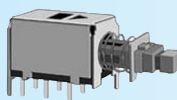
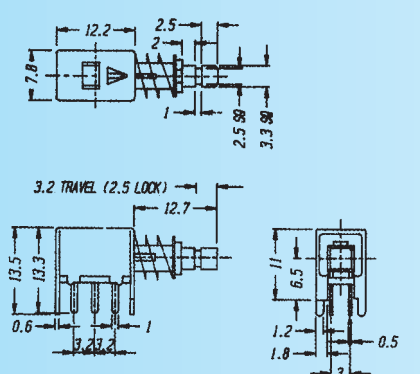


**N** NON-SHORTING



## PS-22F45 (LOCKED)

Rating: 0.3A 50V DC  
Function: 2P2T



**N** NON-SHORTING

