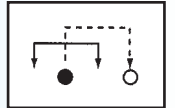
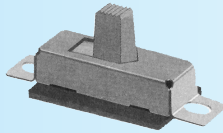
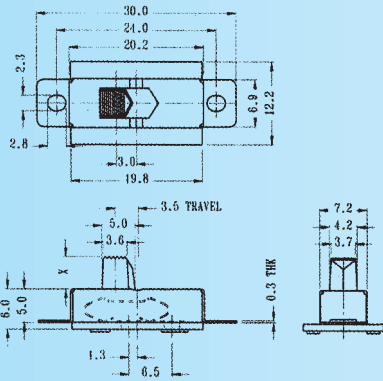


SS-11G07

Rating: 0.5A 12V DC
Function: 1P1T

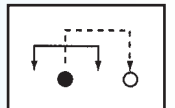
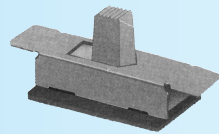
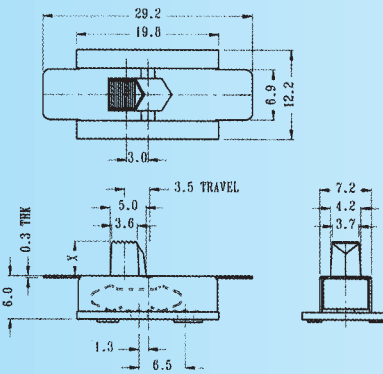


Optional Knob type

GX					

SS-11G09

Rating: 0.5A 12V DC
Function: 1P1T

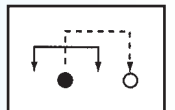
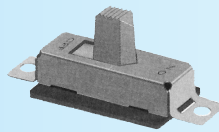
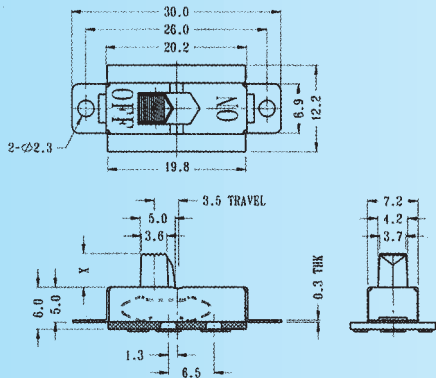


Optional Knob type

GX					

SS-11G11 (OFF/ON)

Rating: 0.5A 12V DC
Function: 1P1T

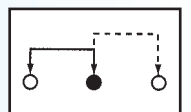
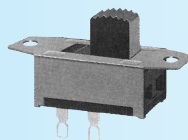
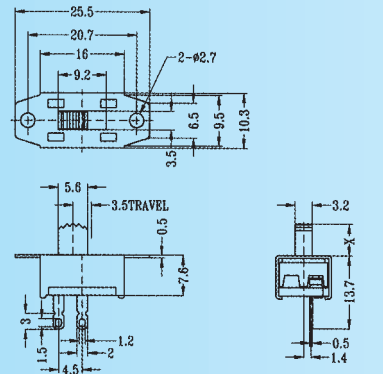


Optional Knob type

GX					

SS-11G18

Rating: 0.5A 12V DC
Function: 1P1T

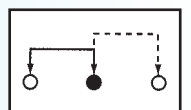
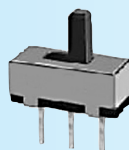
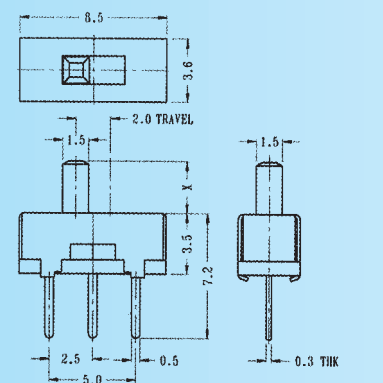


Optional Knob type

GX					

SS-12D01

Rating: 0.3A 12V DC
Function: 1P2T



N NON-SHORTING

Optional Knob type

TB					