

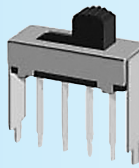
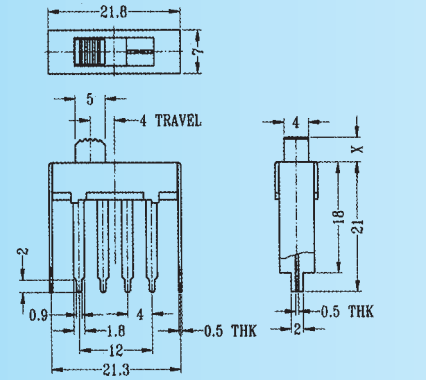
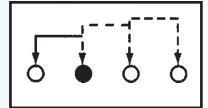
## SS-13H02

Rating: 0.5A 50V DC  
Function: 1P3T

**N** NON-SHORTING

Optional Knob type

GD					



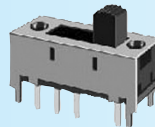
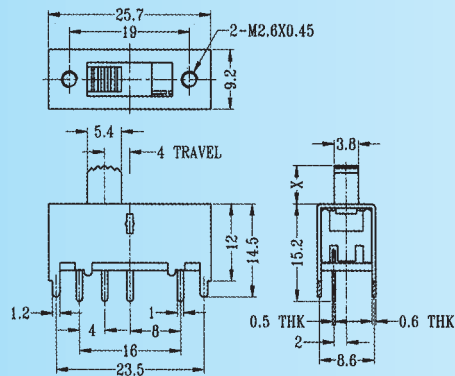
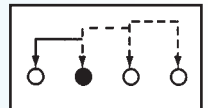
## SS-13H03

Rating: 0.5A 50V DC  
Function: 1P3T

**N** NON-SHORTING

Optional Knob type

GD					



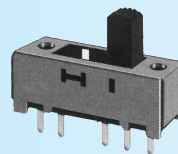
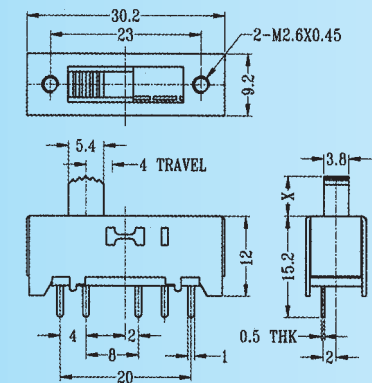
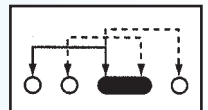
## SS-13H12

Rating: 0.3A 50V DC  
Function: 1P3T

**S** SHORTING

Optional Knob type

MX	AY	NT	CD		



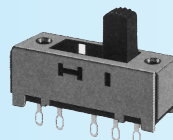
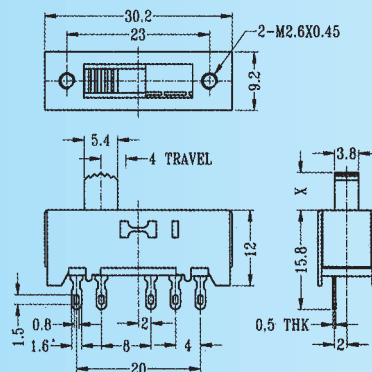
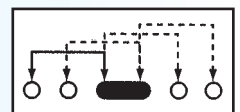
## SS-14H03

Rating: 0.3A 50V DC  
Function: 1P3T

**S** SHORTING

Optional Knob type

GD					



## SS-14H04

Rating: 0.3A 50V DC  
Function: 1P3T

**S** SHORTING

Optional Knob type

GD					

