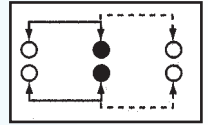


SS-22G08

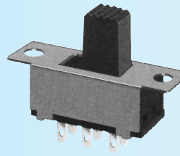
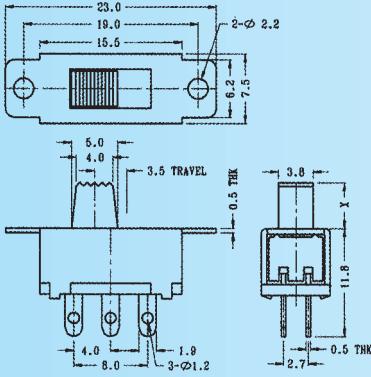
Rating: 1A 125V DC
Function: 2P2T



N NON-SHORTING

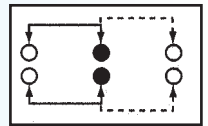
Optional Knob type

GD	UB				



SS-22G32

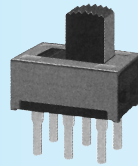
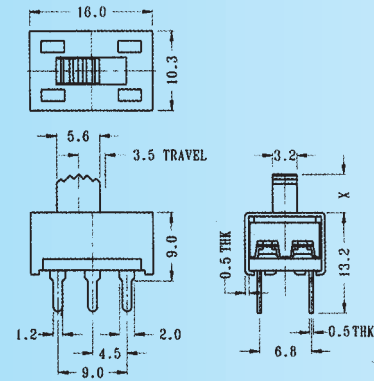
Rating: 0.5A 50V DC
Function: 2P2T



N NON-SHORTING

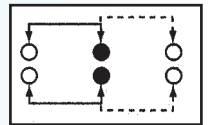
Optional Knob type

GA	GD				



SS-22G88

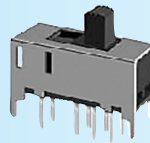
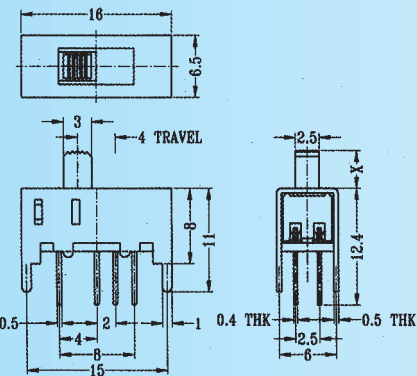
Rating: 1A 125V AC
Function: 2P2T



N NON-SHORTING

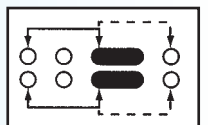
Optional Knob type

GD					



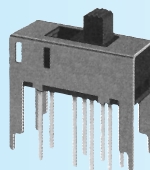
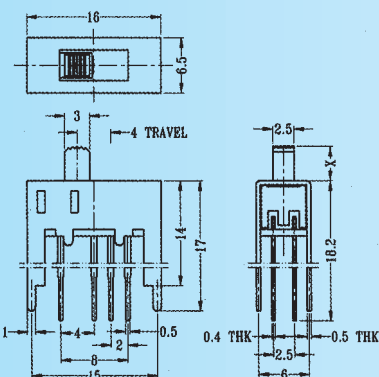
SS-22H02

Rating: 0.3A 50V DC
Function: 2P2T



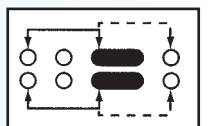
Optional Knob type

GD	TA	AT	NY	GE	



SS-22H03

Rating: 0.3A 50V DC
Function: 2P2T



Optional Knob type

GD	TA	AT	NY	GE	