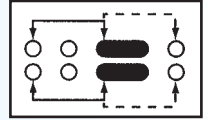


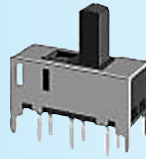
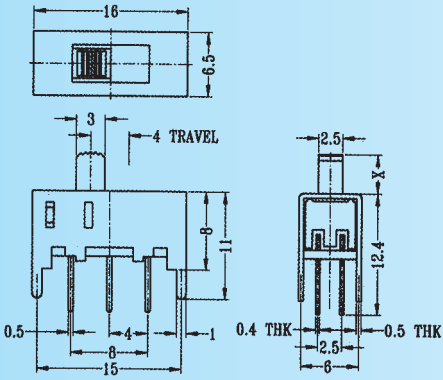
SS-22H04

Rating: 0.3A 50V DC
Function: 2P2T



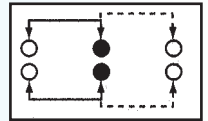
Optional Knob type

GD	TA	AT	NY	GE	



SS-22H05

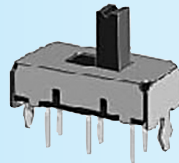
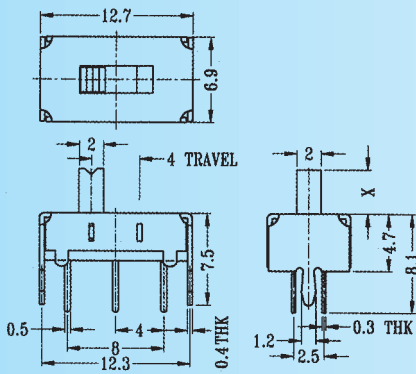
Rating: 0.3A 50V DC
Function: 2P2T



N NON-SHORTING

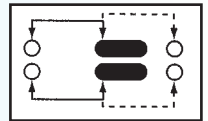
Optional Knob type

GD	TA	AT	NY	GE	



SS-22H06

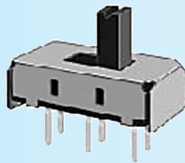
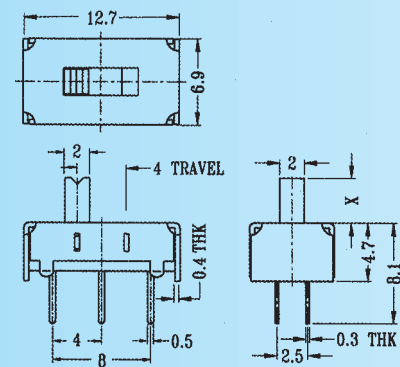
Rating: 0.3A 50V DC
Function: 2P2T



N NON-SHORTING

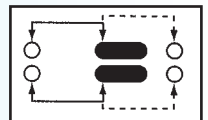
Optional Knob type

GE	PG	VA			



SS-22H07

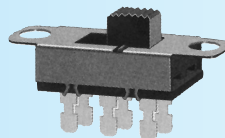
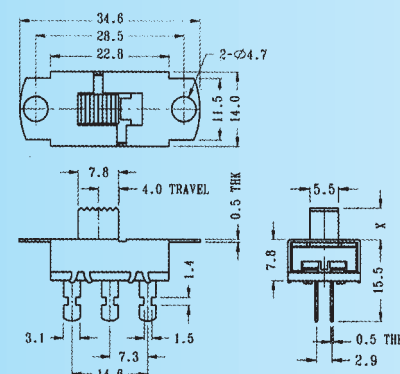
Rating: 0.3A 50V DC
Function: 2P2T



N NON-SHORTING

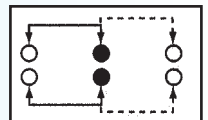
Optional Knob type

GE	PG	VA			



SS-22H08

Rating: 1.5A 250V AC
Function: 2P2T



S SHORTING

Optional Knob type

GE					