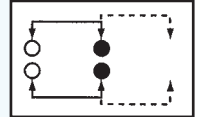


SS-22J06

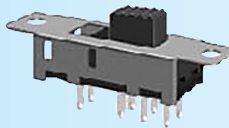
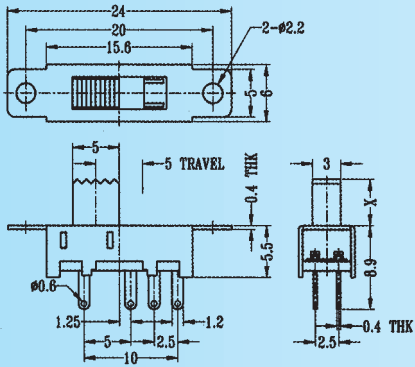
Rating: 1.5A 250V AC
Function: 2P2T



N NON-SHORTING

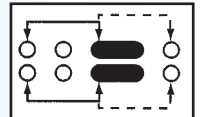
Optional Knob type

TA					



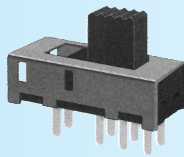
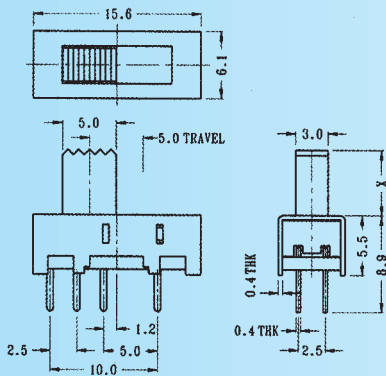
SS-22J08

Rating: 0.3A 50V AC
Function: 2P2T



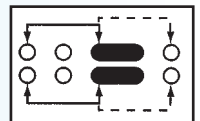
Optional Knob type

GE					



SS-22J09

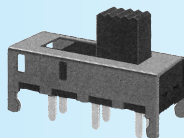
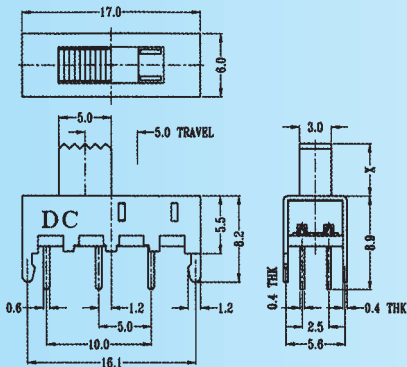
Rating: 0.3A 50V DC
Function: 2P2T



N NON-SHORTING

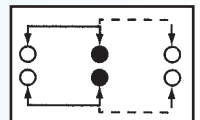
Optional Knob type

GE					



SS-22J10

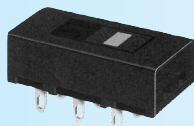
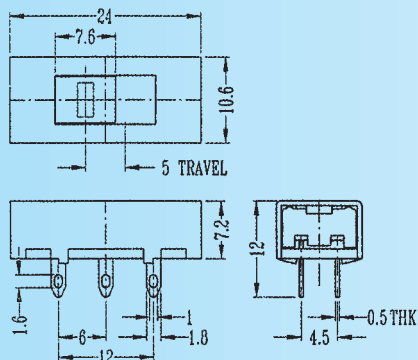
Rating: 0.3A 50V DC
Function: 2P2T



N NON-SHORTING

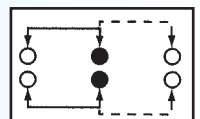
Optional Knob type

GE					



SS-22J11

Rating: 1.5A 250V AC
Function: 2P2T



N NON-SHORTING

Optional Knob type

TA	GD				